



US00D948287S

(12) **United States Design Patent**
Swarts et al.

(10) **Patent No.:** **US D948,287 S**
(45) **Date of Patent:** **** Apr. 12, 2022**

(54) **COLLAPSIBLE TRAVEL BOTTLE**

FOREIGN PATENT DOCUMENTS

(71) Applicant: **Stojo Products Inc.**, Brooklyn, NY (US)

CN 3488301 * 11/2005
CN 3581183 * 11/2006

(Continued)

(72) Inventors: **Jurrien Swarts**, Brooklyn, NY (US);
Richard Smiedt, Santa Monica, CA (US)

OTHER PUBLICATIONS

(73) Assignee: **Stojo Products Inc.**, Brooklyn, NY (US)

S'well Stainless Steel Roamer Bottle [online] URL: <https://www.amazon.com/Swell-Insulated-Stainless-Roamer-Moonstone/dp/> (site visited: Oct. 1, 2021) (Year: 2018).*

(Continued)

(**) Term: **15 Years**

Primary Examiner — Jae Liang

Assistant Examiner — Tia Ruth-Renee Polidori

(21) Appl. No.: **29/727,185**

(74) *Attorney, Agent, or Firm* — Warshaw Burstein, LLP;
John C. Laurence

(22) Filed: **Mar. 9, 2020**

(51) **LOC (13) Cl.** **07-01**

(52) **U.S. Cl.**

USPC **D7/511**; D7/512

(58) **Field of Classification Search**

USPC D7/507, 509, 510, 511, 523, 533, 535,
D7/536, 392.1, 396.1, 396.2, 608, 300.1,
D7/598, 600, 512, 532, 900; D9/443,
D9/446, 449; D3/202; D29/125, 126;
220/713, 715, 8; 102/486

CPC B65D 1/40; B65D 21/086; A47G 21/18;
A47G 19/22; A47G 19/2288; A47G
19/2205; A45F 2003/205; A47J 41/0055;
A47J 41/0022; A47J 41/00; A47J
41/0077; A47J 41/0088; Y10S 220/903

See application file for complete search history.

(57) **CLAIM**

The ornamental design for a collapsible travel bottle, as shown and described.

DESCRIPTION

FIG. 1 is a top perspective view of a collapsible travel bottle; FIG. 2 is a front elevation view of a collapsible travel bottle; FIG. 3 is a back side elevation view of a collapsible travel bottle; FIG. 4 is a right side elevation view of a collapsible travel bottle; FIG. 5 is a left side elevation view of a collapsible travel bottle; FIG. 6 is a top plan view of a collapsible travel bottle; FIG. 7 is a bottom plan view of a collapsible travel bottle; FIG. 8 is a top perspective view of a collapsible travel bottle in a collapsed position; and, FIG. 9 is a left side elevated view of a collapsible travel bottle in a collapsed position.

The elements shown in broken lines do not form any part of the claimed design.

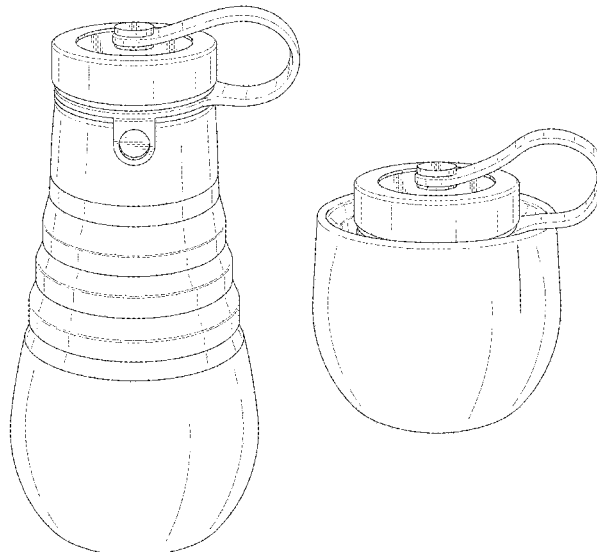
(56) **References Cited**

U.S. PATENT DOCUMENTS

D221,886 S * 9/1971 Gruett D15/150
4,044,836 A * 8/1977 Martin A62C 11/00
169/30
D265,289 S * 7/1982 Kozlowski D9/683

(Continued)

1 Claim, 7 Drawing Sheets



(56)

References Cited

U.S. PATENT DOCUMENTS

D284,249 S * 6/1986 Bolich D7/511
 D284,451 S * 7/1986 Fortuna D9/443
 D292,555 S * 11/1987 Chesterfield D9/683
 D293,534 S * 1/1988 Bolich D7/511
 D340,413 S * 10/1993 Emig D9/502
 D370,388 S * 6/1996 Cusick D24/115
 D401,344 S * 11/1998 Bonds D24/197
 D403,587 S * 1/1999 Thornley D9/683
 D405,531 S * 2/1999 Bonds D24/197
 D407,493 S * 3/1999 Bonds D24/197
 D409,451 S * 5/1999 Kato D7/608
 D412,640 S * 8/1999 Much D7/392
 D437,185 S * 2/2001 Freed D7/510
 D449,381 S * 10/2001 de Begon de Larouziere
 D24/197
 D482,571 S * 11/2003 Leinenweber D7/509
 D490,316 S * 5/2004 Antal D12/202
 D500,444 S * 1/2005 Drake D9/503
 D500,445 S * 1/2005 DeBiasse D9/500
 D506,643 S * 6/2005 Norris D7/532
 D511,459 S * 11/2005 Riot D9/502
 D530,221 S * 10/2006 Paglina D9/692
 D543,847 S * 6/2007 Yelland D9/502
 D546,184 S * 7/2007 Yelland D9/502
 D552,477 S * 10/2007 Hermel D9/516
 D552,994 S * 10/2007 Feen D9/516
 D557,606 S * 12/2007 Rashid D9/500
 D604,991 S * 12/2009 Ablo D7/300.1
 D619,460 S * 7/2010 Beckerman D9/500
 D644,489 S * 9/2011 Trombly D7/510
 D680,805 S * 4/2013 Rosbach D7/392.1
 D683,187 S * 5/2013 Gold D7/510
 D688,912 S * 9/2013 Rosbach D7/392.1
 D689,368 S * 9/2013 Kim D9/645
 D694,122 S * 11/2013 Kawai D9/689
 D731,315 S * 6/2015 Pires D9/503
 D731,896 S * 6/2015 Lederer D9/683
 D770,284 S * 11/2016 Luu D9/502
 D770,285 S * 11/2016 Luu D9/502
 D777,520 S * 1/2017 Singlaub D7/532
 D779,886 S * 2/2017 Singlaub D7/532
 D789,148 S * 6/2017 Hornung D7/507
 D801,179 S * 10/2017 McGreevy D9/500

D802,426 S * 11/2017 Luu D9/502
 D803,064 S * 11/2017 Marina D9/537
 D810,512 S * 2/2018 Wu D7/512
 D832,711 S * 11/2018 McGreevy D9/542
 D833,874 S * 11/2018 Harrison D9/500
 D838,549 S * 1/2019 Gu D7/510
 D840,186 S * 2/2019 Gunia B01F 7/1695
 D7/377
 D854,933 S * 7/2019 Whittaker D9/529
 D857,374 S * 8/2019 Lane D3/202
 D861,435 S * 10/2019 Yang D7/512
 D876,816 S * 3/2020 Lane D3/202
 D881,013 S * 4/2020 Luu D9/500
 D908,430 S * 1/2021 McCabe D7/510
 D936,422 S * 11/2021 Cui D7/510
 2003/0085232 A1 * 5/2003 Leinenweber B65D 47/305
 220/705
 2015/0053700 A1 * 2/2015 Pierson A45F 3/20
 220/666
 2015/0253055 A1 * 9/2015 Tsui B65D 25/04
 62/62
 2015/0313389 A1 * 11/2015 Velasquez A47G 19/22
 220/8
 2016/0309930 A1 * 10/2016 Stewart A47G 21/18
 2017/0050800 A1 * 2/2017 Gain B65B 5/02
 2017/0127859 A1 * 5/2017 Hornung A45F 3/18
 2020/0231324 A1 * 7/2020 Swarts B65D 1/0292

FOREIGN PATENT DOCUMENTS

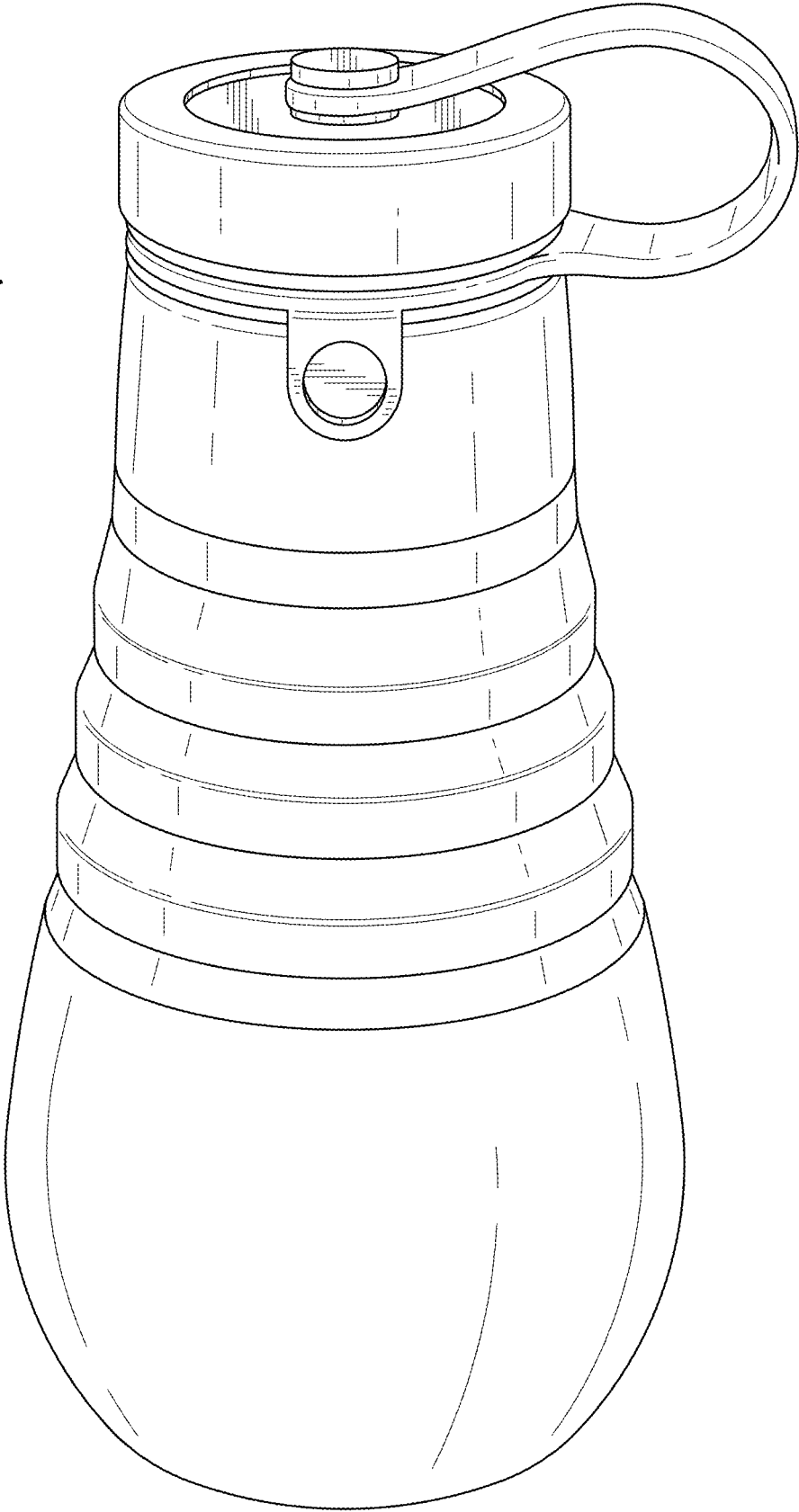
CN 301143079 * 2/2010
 CN 302928815 * 9/2014
 CN 304135913 * 5/2017

OTHER PUBLICATIONS

STOJO Collapsible Bottle [online] URL: <https://www.amazon.com/STOJO-Collapsible-Bottle-Reusable-Leakproof/dp/B08NFG562Z?th=1> (site visited: Oct. 1, 2021) (Year: 2020).*
 Hot Selling 400ml Clear Pear Shaped Plastic Mineral Water Bottle [online] URL: https://www.alibaba.com/product-detail/Hot-Selling-400ML-Clear-Pear-Shaped_60539466944.html?spm=a2700.details.0.0.19081b9fqylZgY (site visited: Oct. 1, 2021) (Year: 2021).*

* cited by examiner

FIG. 1



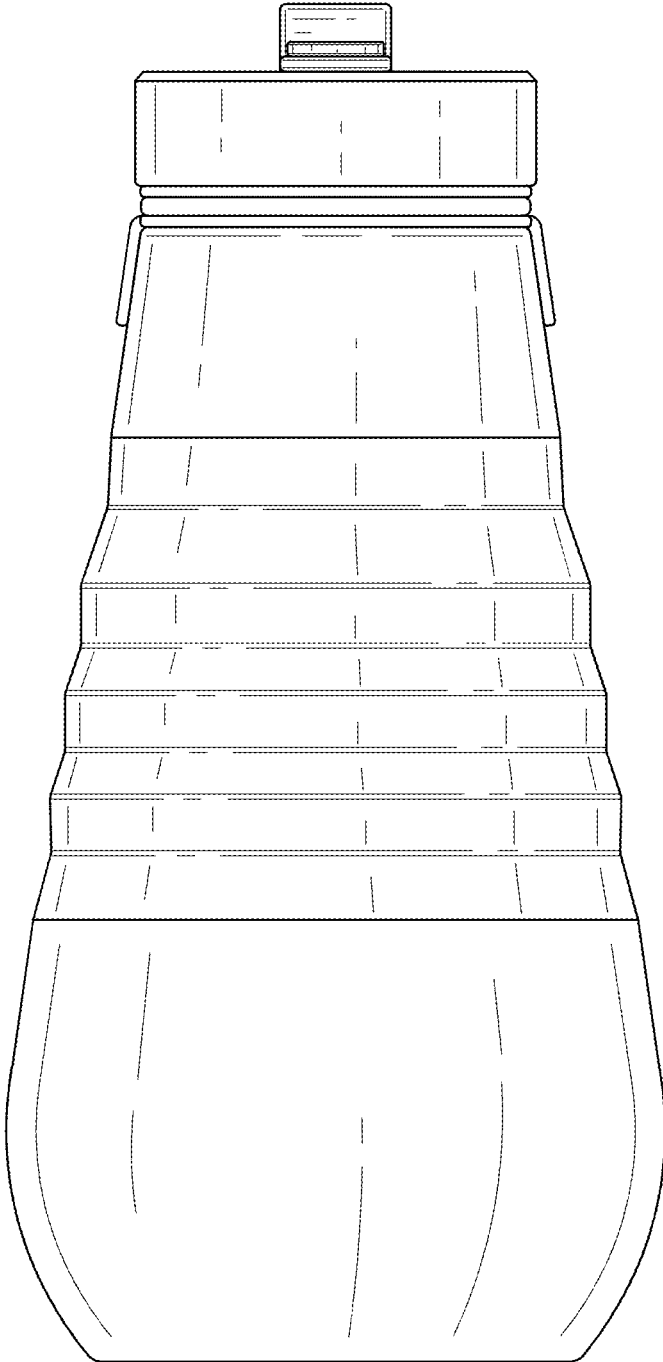


FIG. 2

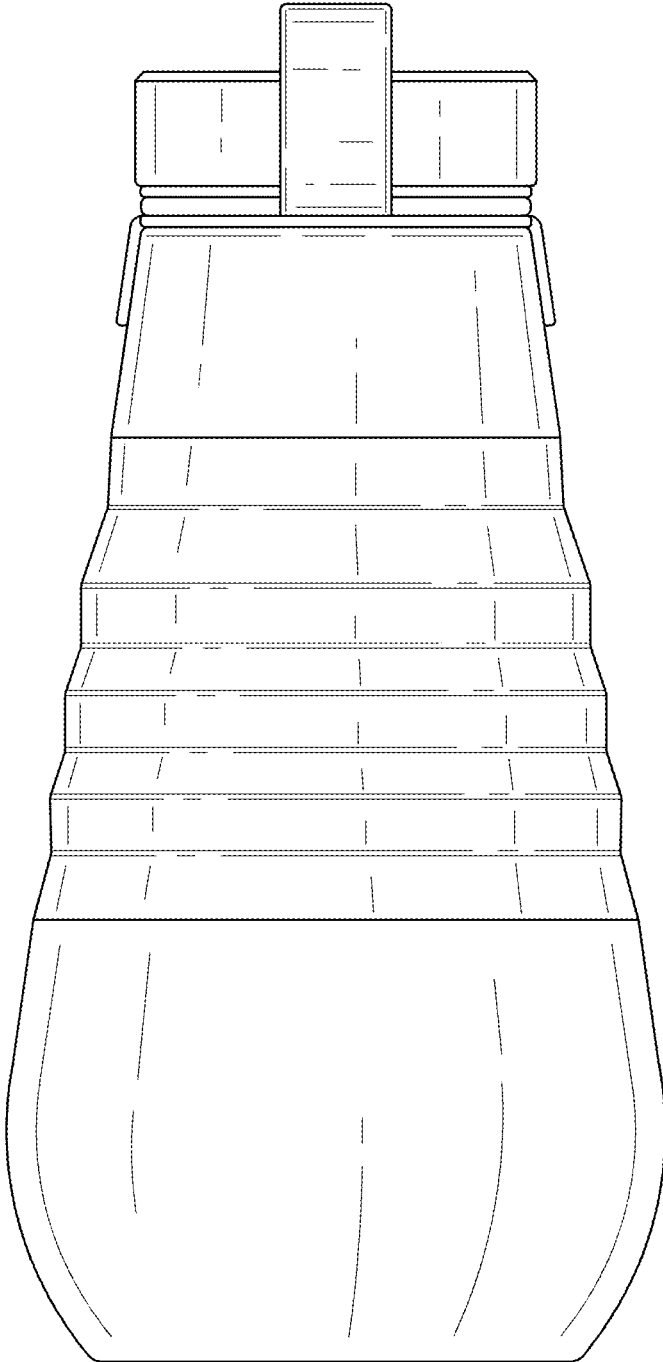


FIG. 3

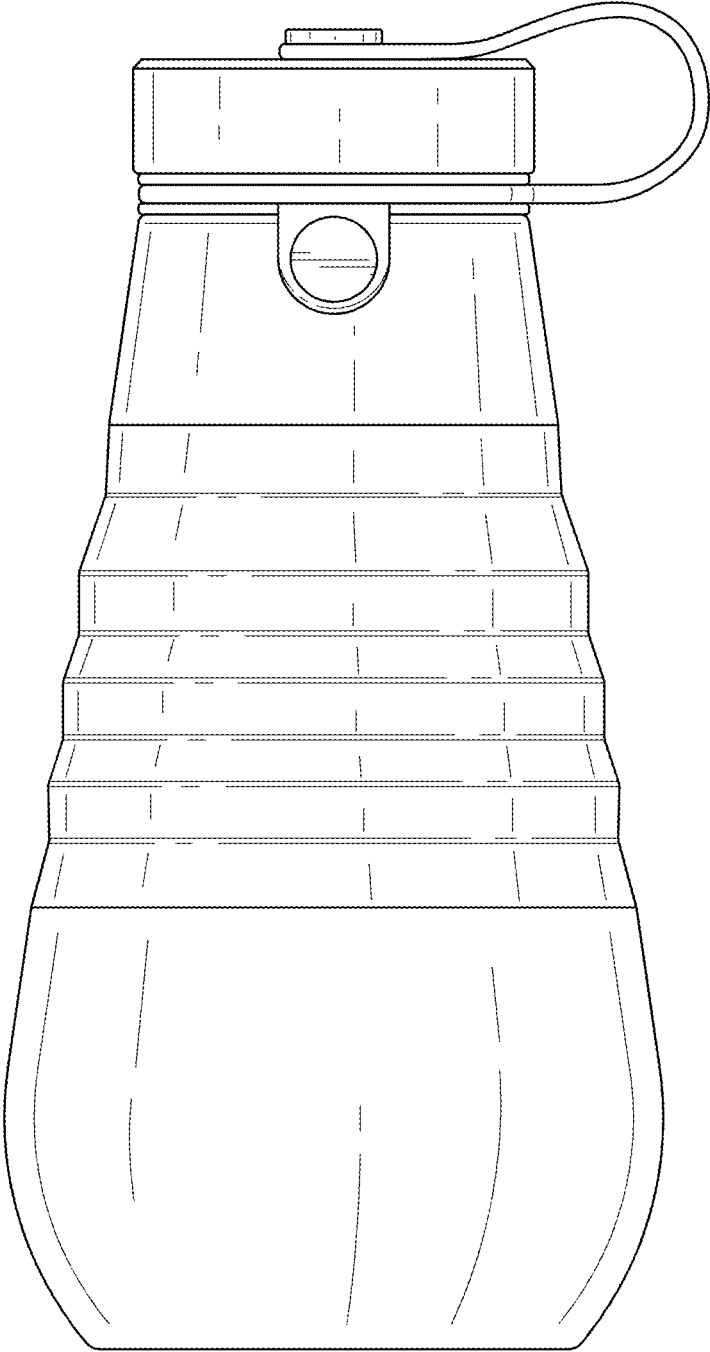


FIG. 4

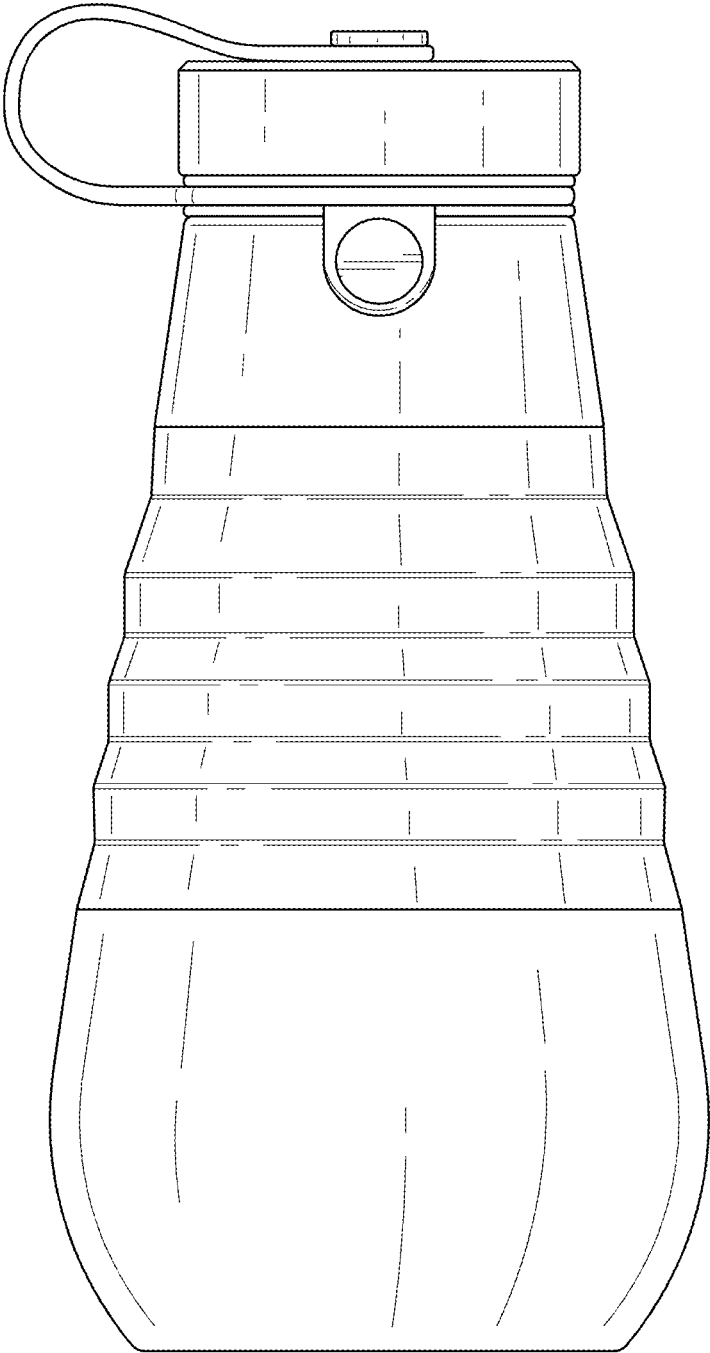


FIG. 5

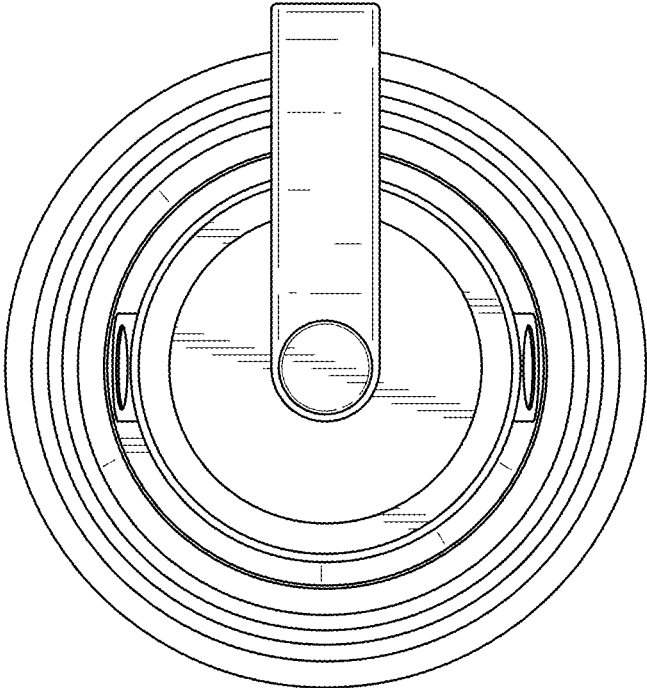


FIG. 6

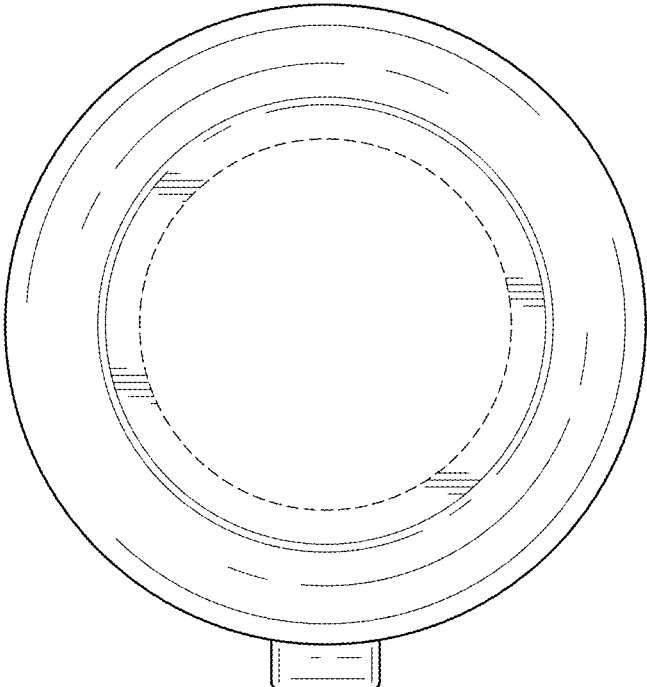


FIG. 7

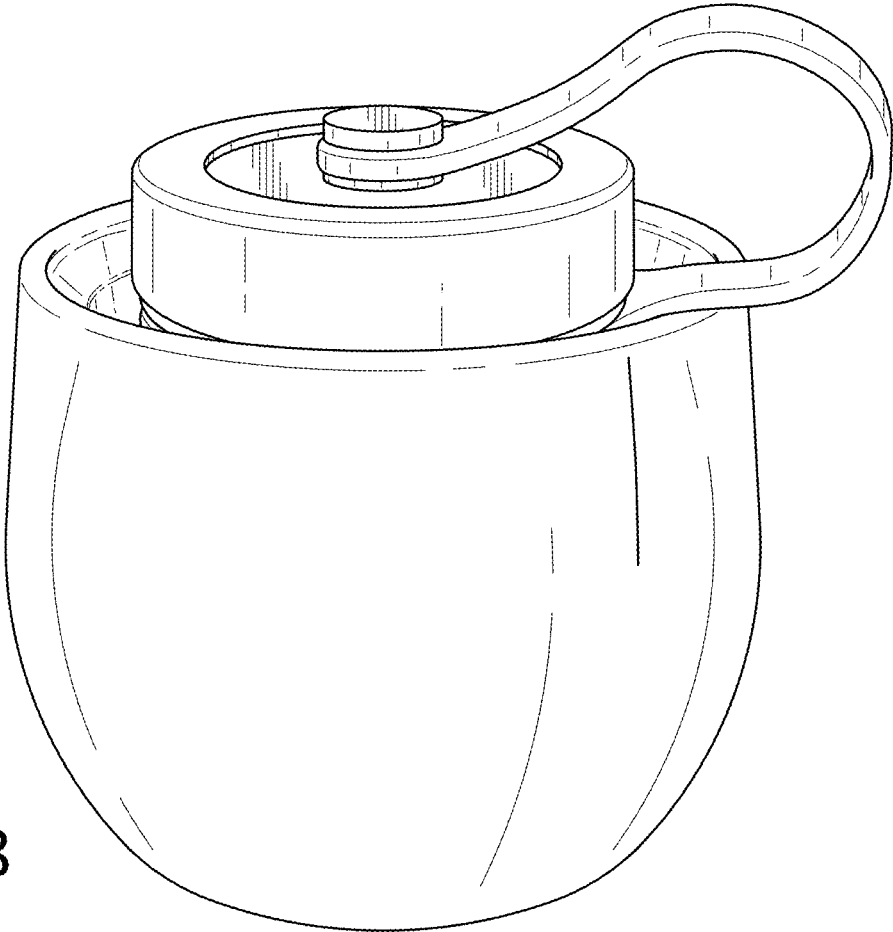


FIG. 8

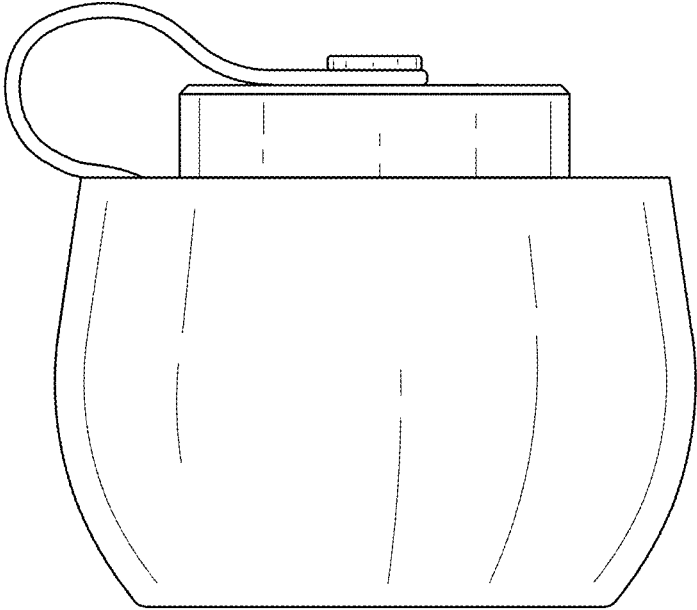


FIG. 9