



US00D924554S

(12) **United States Design Patent**
Grobman

(10) **Patent No.:** **US D924,554 S**

(45) **Date of Patent:** **** Jul. 13, 2021**

(54) **FOOTWEAR**

(71) Applicant: **Alan Grobman**, New York, NY (US)

(72) Inventor: **Alan Grobman**, New York, NY (US)

(**) Term: **15 Years**

(21) Appl. No.: **29/717,556**

(22) Filed: **Dec. 18, 2019**

(51) **LOC (13) Cl.** **02-04**

(52) **U.S. Cl.**

USPC **D2/972**

(58) **Field of Classification Search**

USPC D2/896, 900, 902, 904, 906–908,
D2/916–924, 925–945, 969, 970–979;
36/1.5, 3 A, 83, 45, 99, 101, 112–116,
36/136

CPC A43B 23/00; A43B 23/02; A43B 23/07;
A43B 23/024; A43B 23/0245; A43B
23/025; A43B 23/026; A43B 23/265;
A43B 23/04; A43B 23/14; A43B 23/16;
A43B 23/24; A43B 23/26; A43B 5/00;
A43B 5/001; A43B 5/002; A43B 5/003;
A43B 5/008; A43B 5/06; A43B 5/08;
A43B 5/10; A43B 5/12; A43B 5/14;
A43B 5/145; A43B 1/00; A43B 1/02;
A43B 1/04; A43B 1/0045; A43B 3/12;
A43B 7/00; A43B 9/00; A43B 9/08;
A43B 9/14; A43B 9/16; A43B 11/00;
A43B 21/00; A43B 21/02; A43B 21/04;
A43B 21/06; A43C 1/00; A43C 1/003;
A43C 1/06; A43C 3/00; A43C 5/00;
A43C 7/00; A43C 11/00

See application file for complete search history.

(56) **References Cited**

U.S. PATENT DOCUMENTS

D354,844 S * 1/1995 Rinehart D2/914
D424,795 S * 5/2000 Matis D2/903

D428,691 S * 8/2000 Matis D2/903
D447,328 S * 9/2001 Duclos D2/902
D458,014 S * 6/2002 Matis D2/903
D458,442 S * 6/2002 Matis D2/903
D463,111 S * 9/2002 Cosentino D3/211
D481,856 S * 11/2003 Belley D2/969
D481,860 S * 11/2003 Robbins D2/969
D482,188 S * 11/2003 Belley D2/969
D483,557 S * 12/2003 Robbins D2/970
D486,630 S * 2/2004 Robbins D2/969
D487,621 S * 3/2004 Robbins D2/969

(Continued)

OTHER PUBLICATIONS

Dunross & Sons: Finley Men’s Dress Shoe Leather Venetian Loafer, Amazon.com, Date First Available: Jan. 10, 2020, [online], [site visited Apr. 20, 2021]. <URL: <https://www.amazon.com/Dunross-Sons-Slip-Breathable-Occasions/dp/B083QS37PV>> (Year: 2020).*

(Continued)

Primary Examiner — T Chase Nelson
Assistant Examiner — Jonathan J Han
(74) *Attorney, Agent, or Firm* — Warshaw Burstein, LLP;
John Laurence

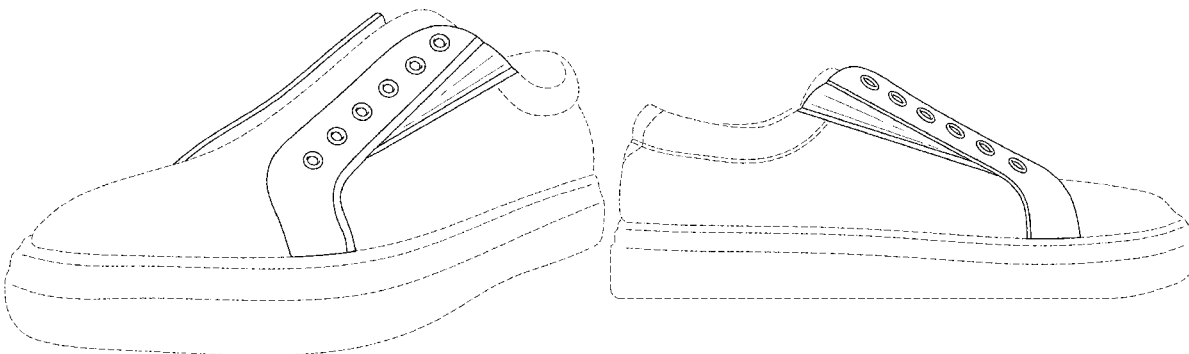
(57) **CLAIM**

The ornamental design for a footwear, as shown and described.

DESCRIPTION

FIG. 1 is a front right perspective view of the footwear;
FIG. 2 is a front left perspective view of the footwear;
FIG. 3 is a top view of the footwear;
FIG. 4 is a bottom view of the footwear;
FIG. 5 is a front view of the footwear;
FIG. 6 is a back view of the footwear;
FIG. 7 is a right-side view of the footwear; and,
FIG. 8 is a left-side view of the footwear.
The broken lines in the figures show portions of the footwear that form no part of the claimed design.

1 Claim, 4 Drawing Sheets



(56)

References Cited

U.S. PATENT DOCUMENTS

D500,194 S * 12/2004 Matis D2/969
D500,404 S * 1/2005 Robbins D2/969
D504,011 S * 4/2005 Robbins D2/969
D545,540 S * 7/2007 Matis D2/923
D545,544 S * 7/2007 Matis D2/923
D553,838 S * 10/2007 Belley D2/969
D559,519 S * 1/2008 Belley D2/969
D563,656 S * 3/2008 Andersen D2/969
D566,944 S * 4/2008 Belley D2/969
D574,135 S * 8/2008 Weisbly D2/969
D574,138 S * 8/2008 Schoenborn D2/969
D574,596 S * 8/2008 Belley D2/969
D577,890 S * 10/2008 Horne D2/969
D581,147 S * 11/2008 St-Louis D2/923
D581,645 S * 12/2008 Roy D2/897
D584,496 S * 1/2009 Matis D2/923
D594,201 S * 6/2009 Matis D2/923
D648,513 S * 11/2011 McVicker D2/923
D666,799 S * 9/2012 Now D2/969
D787,165 S * 5/2017 Sassi D2/896
D822,972 S * 7/2018 Lam D2/969
D865,352 S * 11/2019 Dieudonne D2/973
2020/0260817 A1 * 8/2020 Kapoor A43B 23/26

OTHER PUBLICATIONS

Formal Slipon with Apron, Canthari.com, [online], [site visited Apr. 20, 2021]. <URL: <https://canthari.com/product/formal-slipon-with-apron/>> (Year: 2021).*

Johnston & Murphy Lancaster Cap Toe, EnglishFineFootwear.com, [online], [site visited Apr. 20, 2021]. <URL: <https://www.englishfinefootwear.com/johnston-murphy-lancaster-cap-toe/>> (Year: 2021).*

* cited by examiner

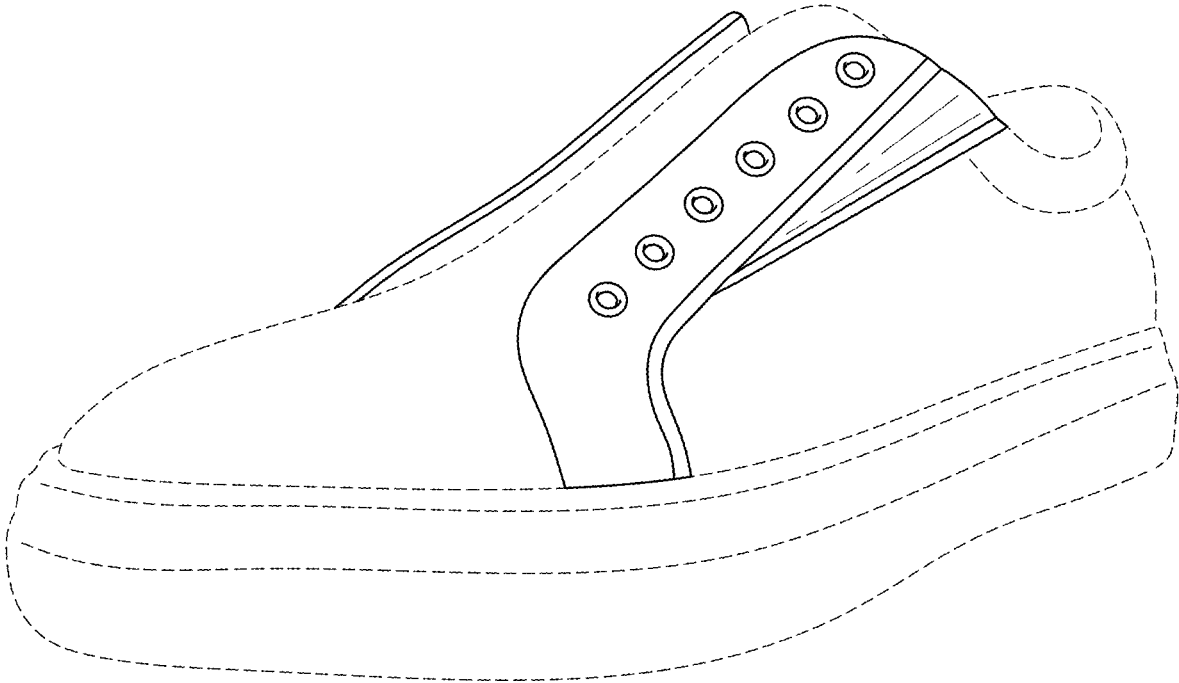


FIG. 1

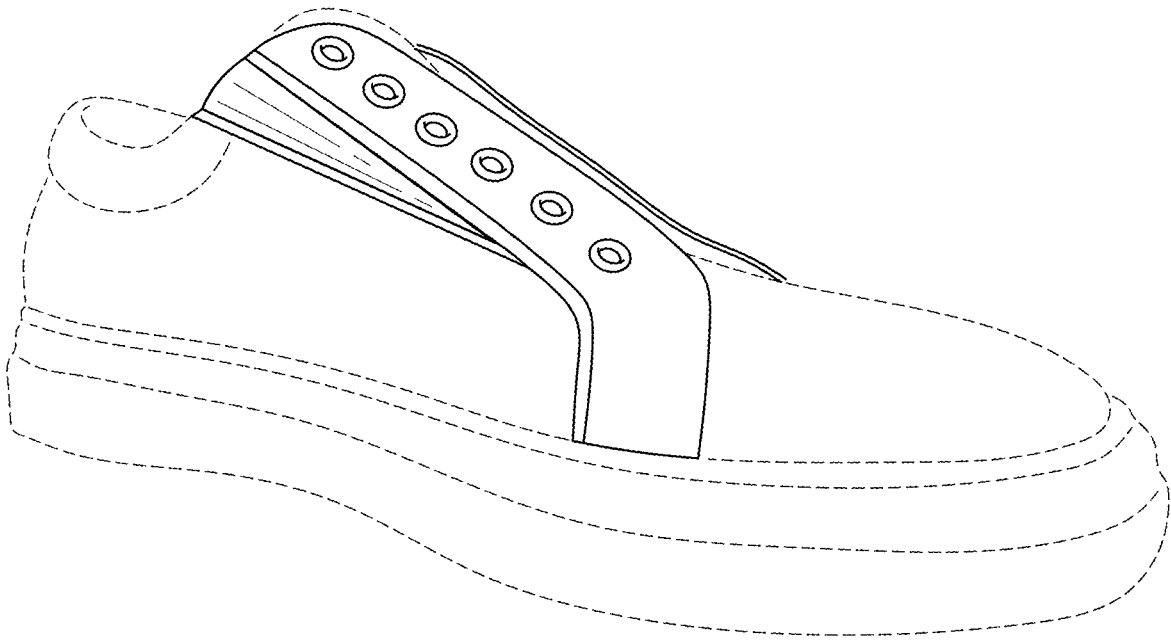


FIG. 2

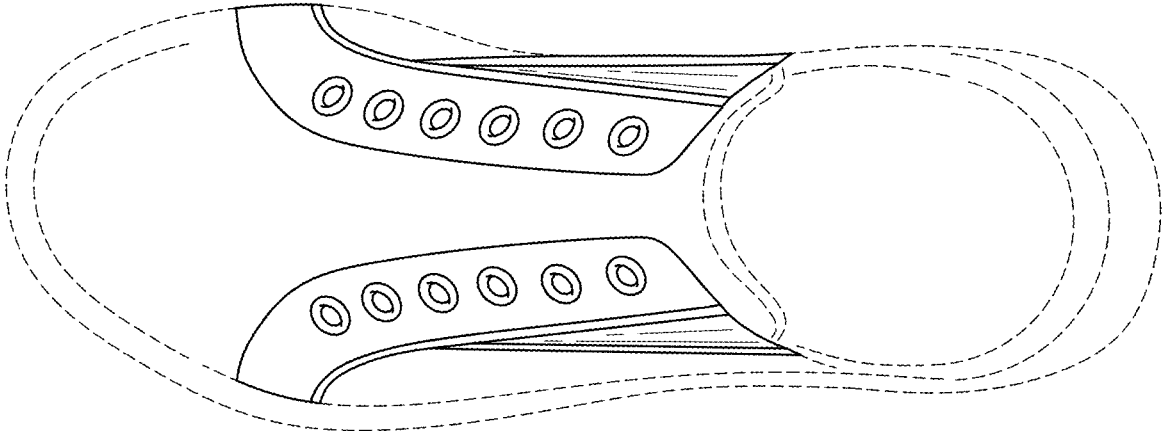


FIG. 3

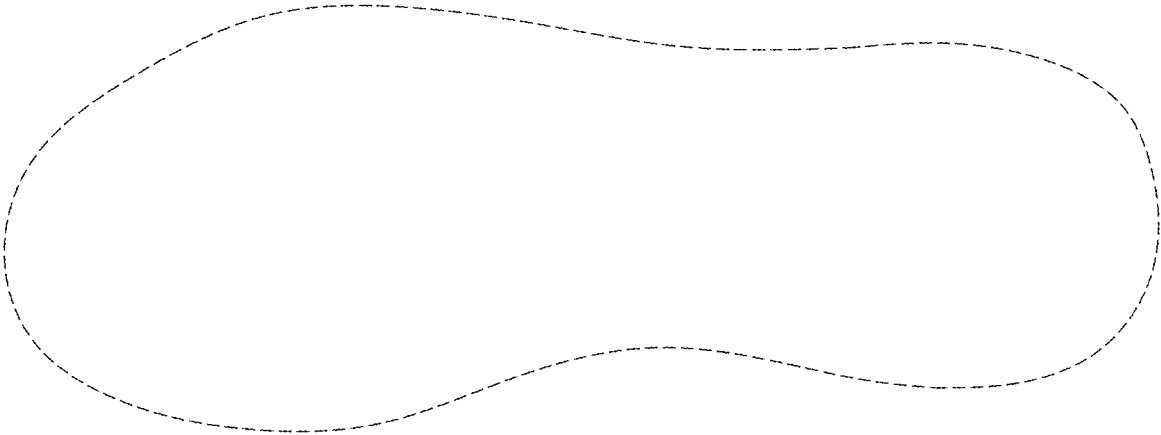


FIG. 4

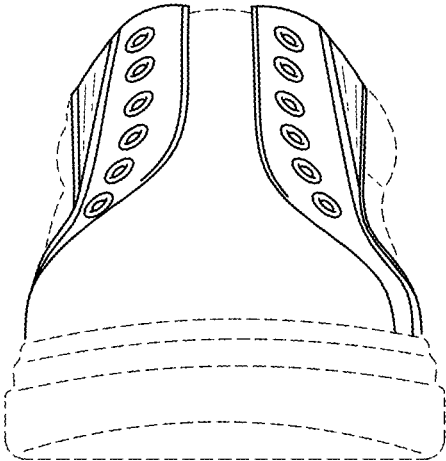


FIG. 5

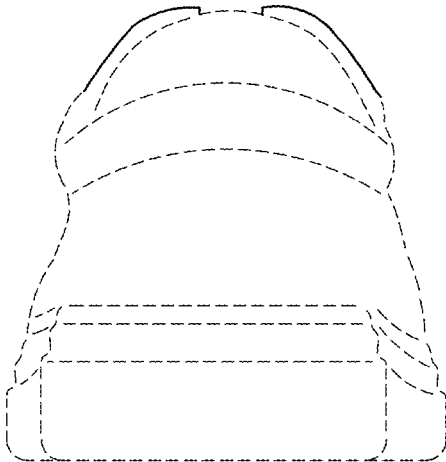


FIG. 6

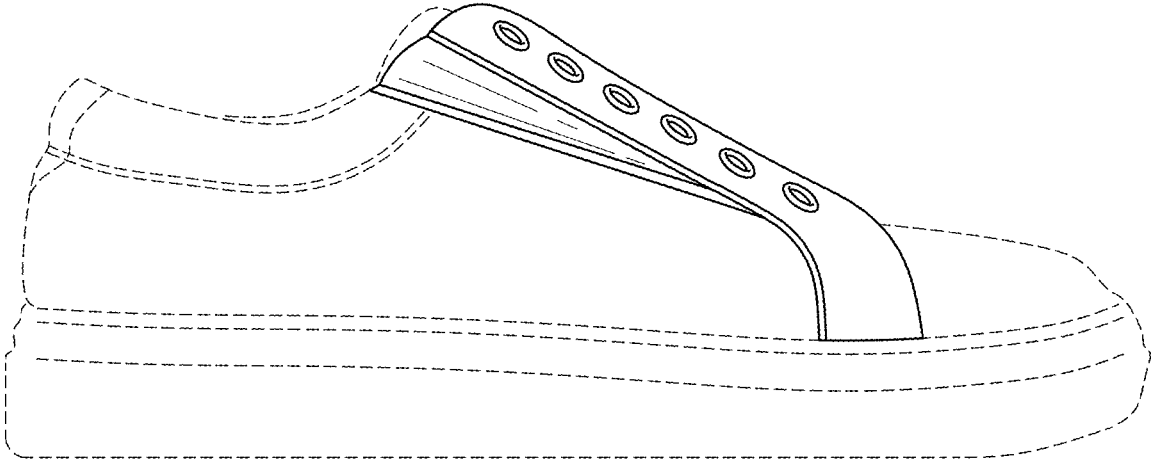


FIG. 7

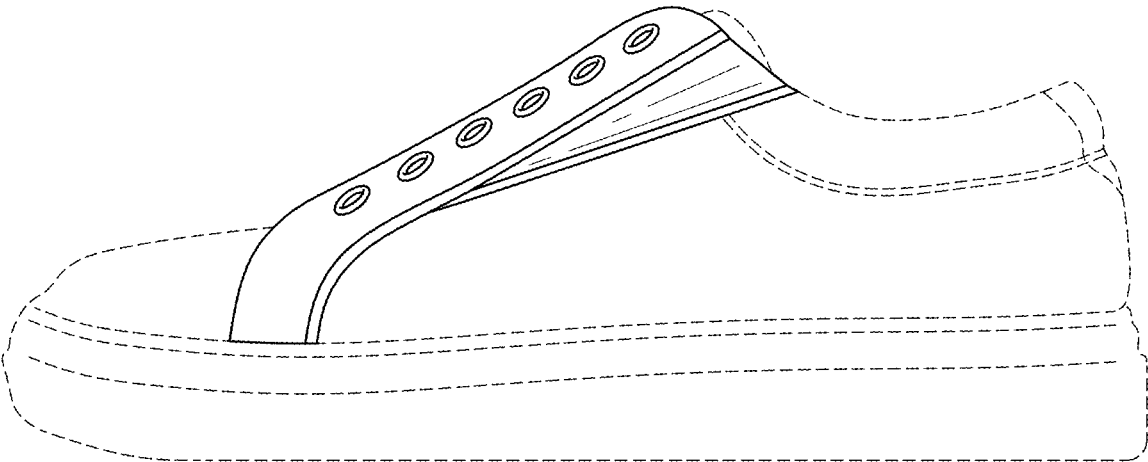


FIG. 8