



US007875817B2

(12) **United States Patent**
Matsuo

(10) **Patent No.:** **US 7,875,817 B2**
(45) **Date of Patent:** **Jan. 25, 2011**

(54) **ELECTRONIC APPARATUS**

(75) Inventor: **Masatake Matsuo**, Yokohama (JP)

(73) Assignee: **Canon Kabushiki Kaisha**, Tokyo (JP)

(*) Notice: Subject to any disclaimer, the term of this patent is extended or adjusted under 35 U.S.C. 154(b) by 275 days.

3,870,840 A *	3/1975	Rivetta et al.	200/5 A
4,188,137 A *	2/1980	Dannatt	400/496
4,311,893 A *	1/1982	Tsuchiya et al.	200/344
4,818,828 A *	4/1989	Curley et al.	200/5 A
6,835,902 B2 *	12/2004	Hiraoka	200/5 A
7,345,250 B2 *	3/2008	Hakunti et al.	200/5 A
7,525,053 B2 *	4/2009	Babella	200/5 A
7,547,857 B2 *	6/2009	Kim et al.	200/520
7,671,291 B2 *	3/2010	Odanaka	200/345

FOREIGN PATENT DOCUMENTS

JP 10-294044 11/1998

* cited by examiner

Primary Examiner—Renee Luebke

Assistant Examiner—Lisa Klaus

(74) *Attorney, Agent, or Firm*—Cowan, Liebowitz & Latman, P.C.

(21) Appl. No.: **12/171,878**

(22) Filed: **Jul. 11, 2008**

(65) **Prior Publication Data**

US 2009/0038919 A1 Feb. 12, 2009

(30) **Foreign Application Priority Data**

Aug. 10, 2007 (JP) 2007-208728

(51) **Int. Cl.**
H01H 9/20 (2006.01)

(52) **U.S. Cl.** **200/50.32**; 200/5 A

(58) **Field of Classification Search** 200/5 A,
200/5 B, 552

See application file for complete search history.

(56) **References Cited**

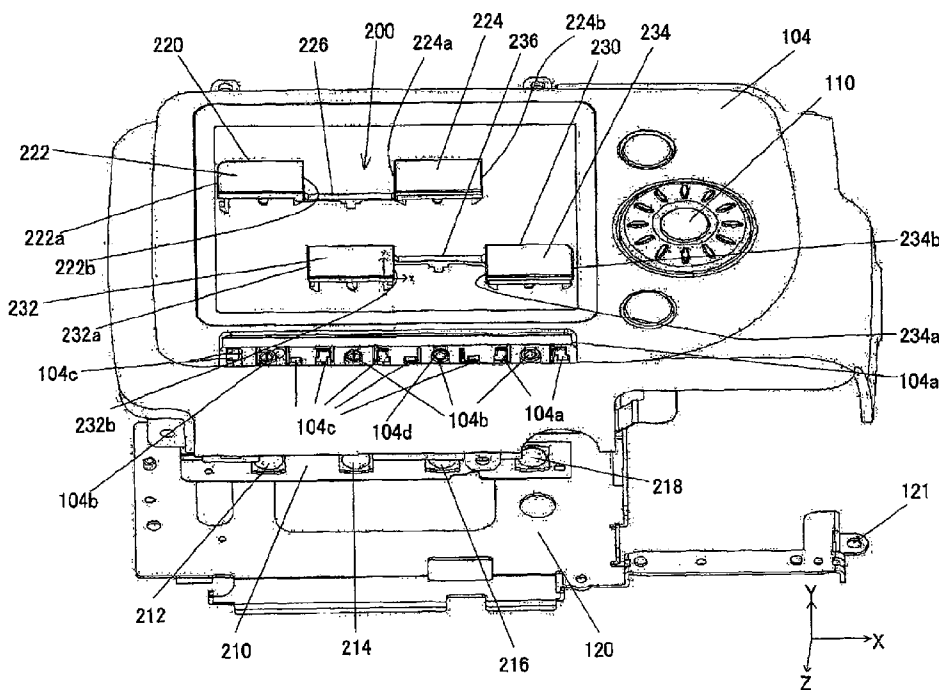
U.S. PATENT DOCUMENTS

3,612,802 A * 10/1971 Beadle et al. 200/329

(57) **ABSTRACT**

An electronic apparatus includes plural operation buttons, through which each switch on a board can be compressed, and a connection part configured to connect two operation buttons out of the plural operation buttons with each other while maintaining the two operation buttons apart from each other, and to return a compressed operation button through an elastic force, wherein the connection part is arranged below an operation button that is located between the two operation buttons among the plural operation buttons.

8 Claims, 15 Drawing Sheets



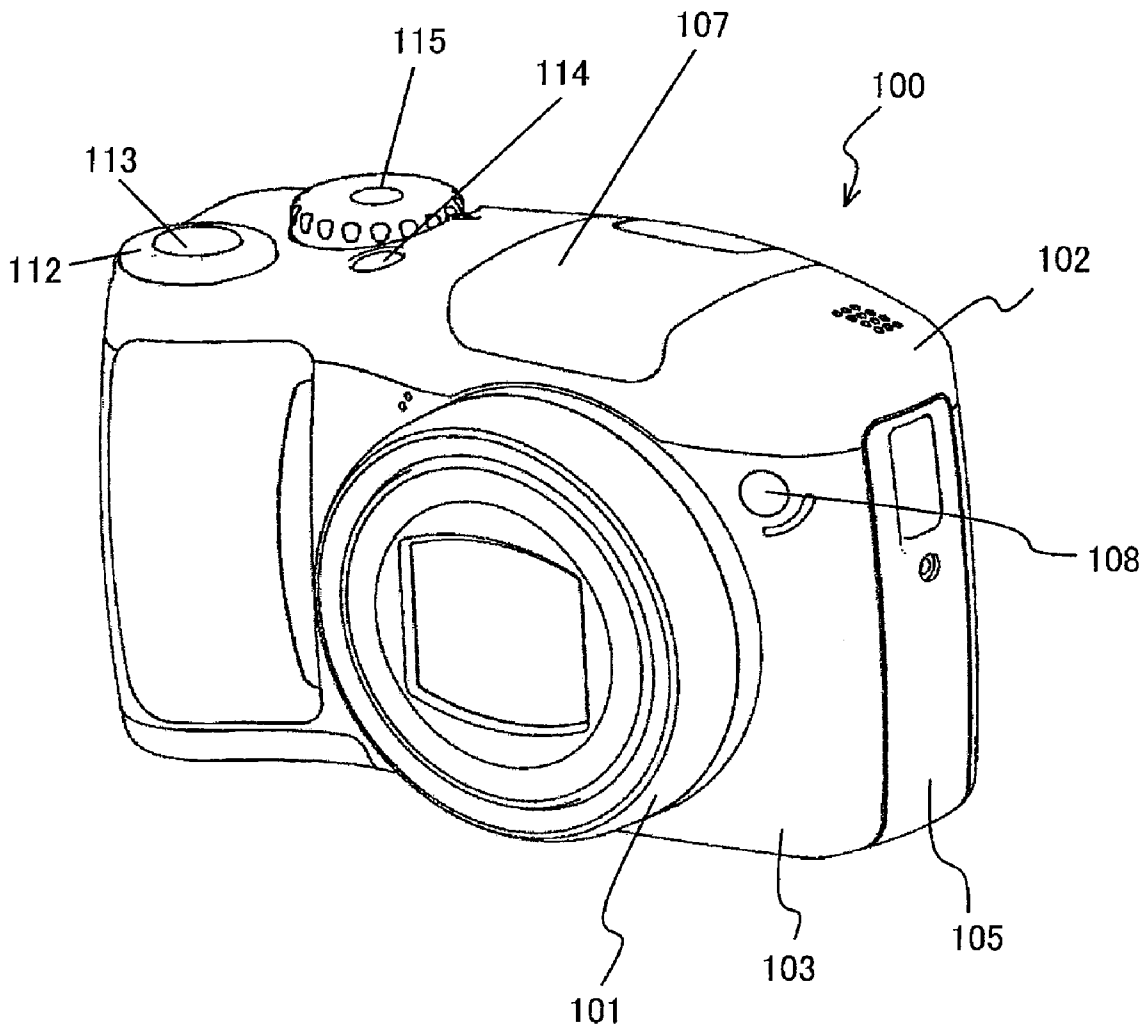


FIG. 1

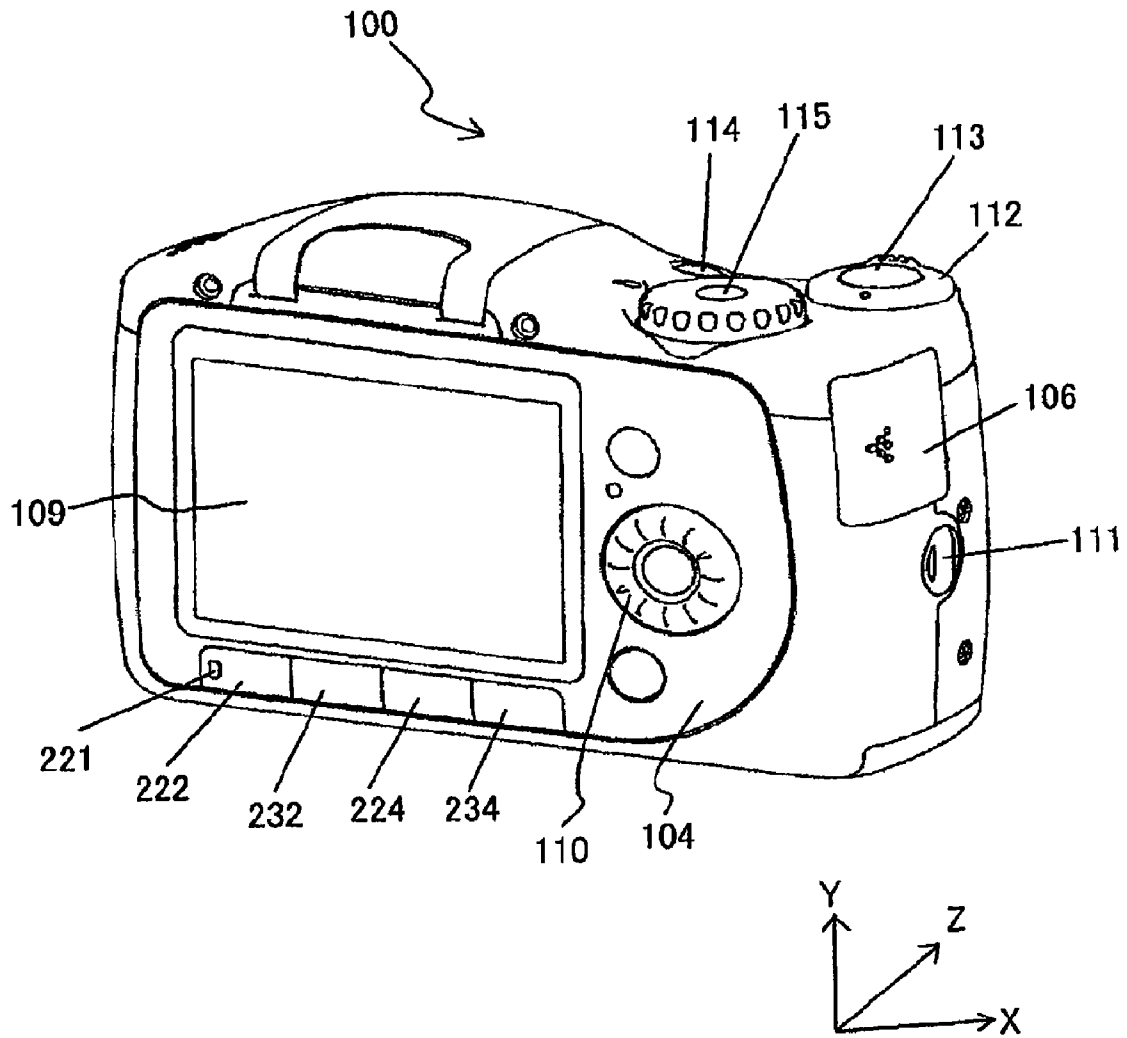


FIG. 2

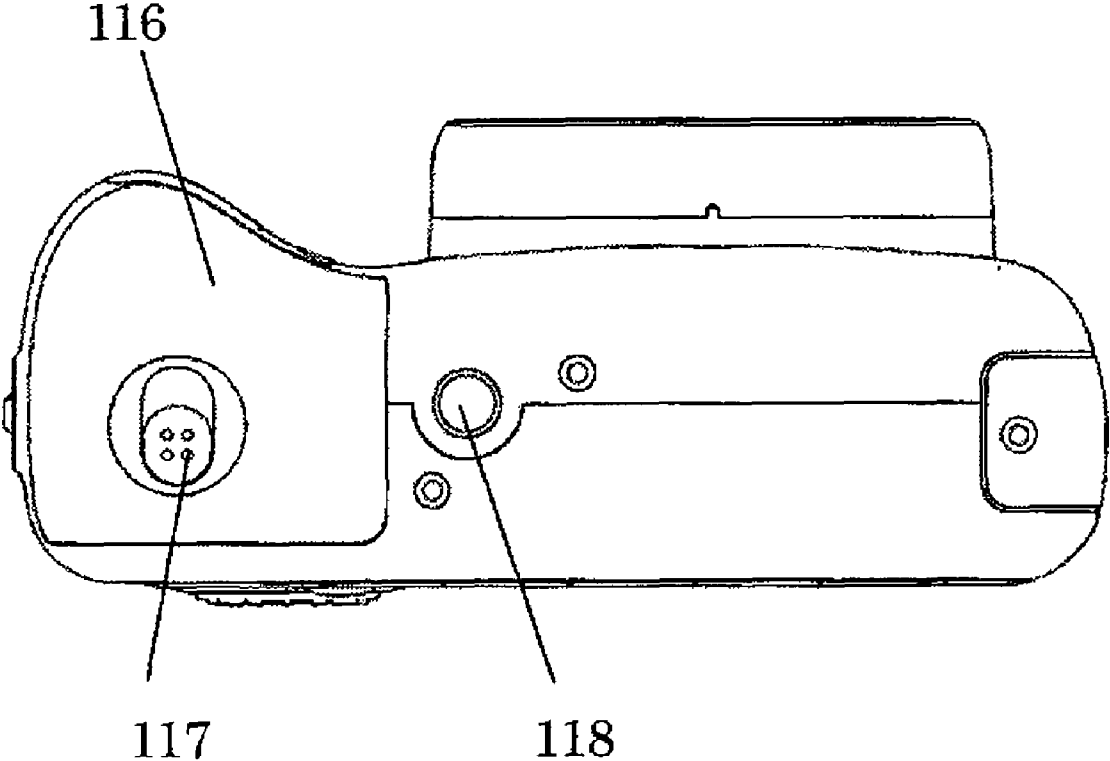


FIG. 3

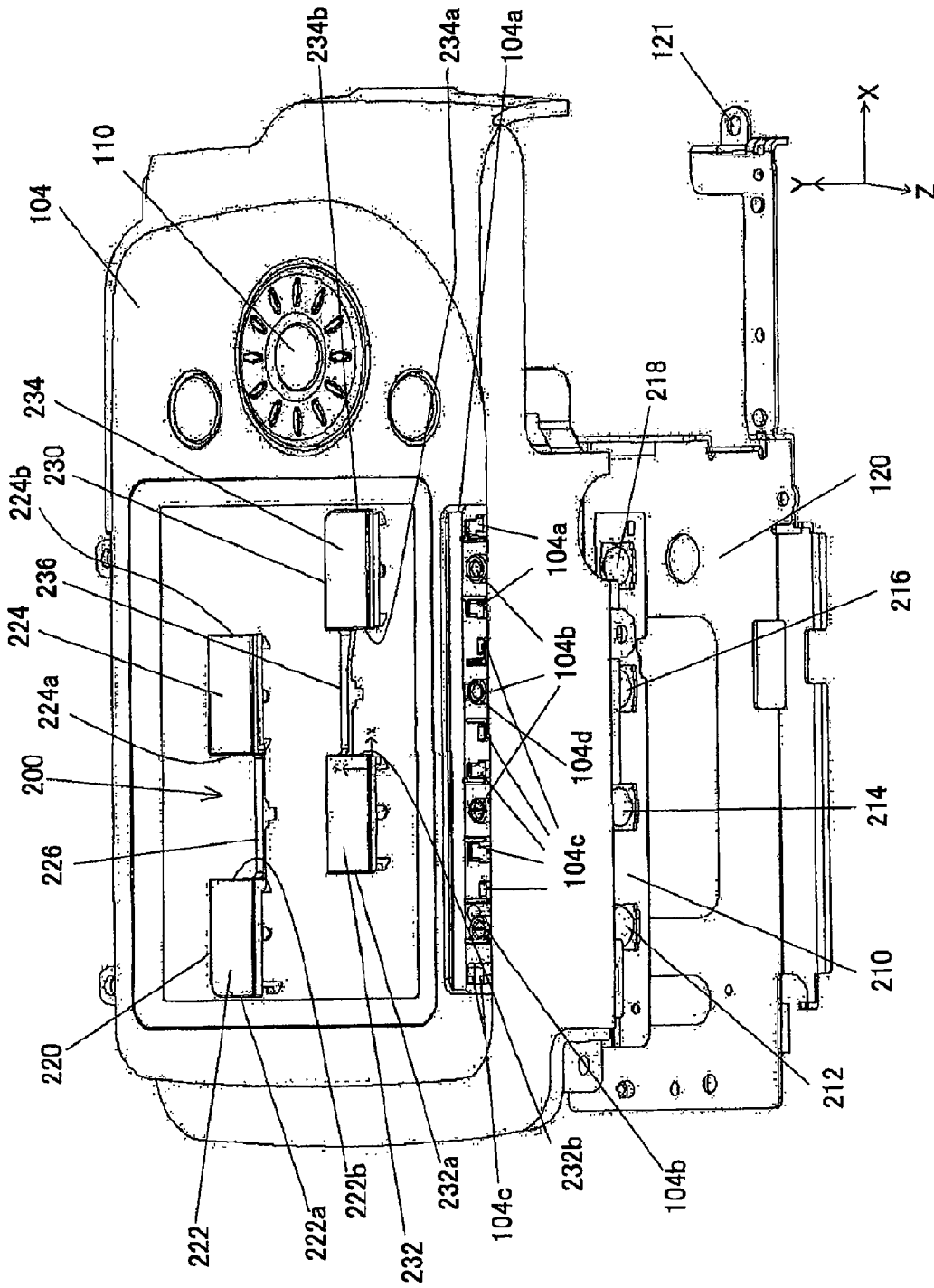


FIG. 4

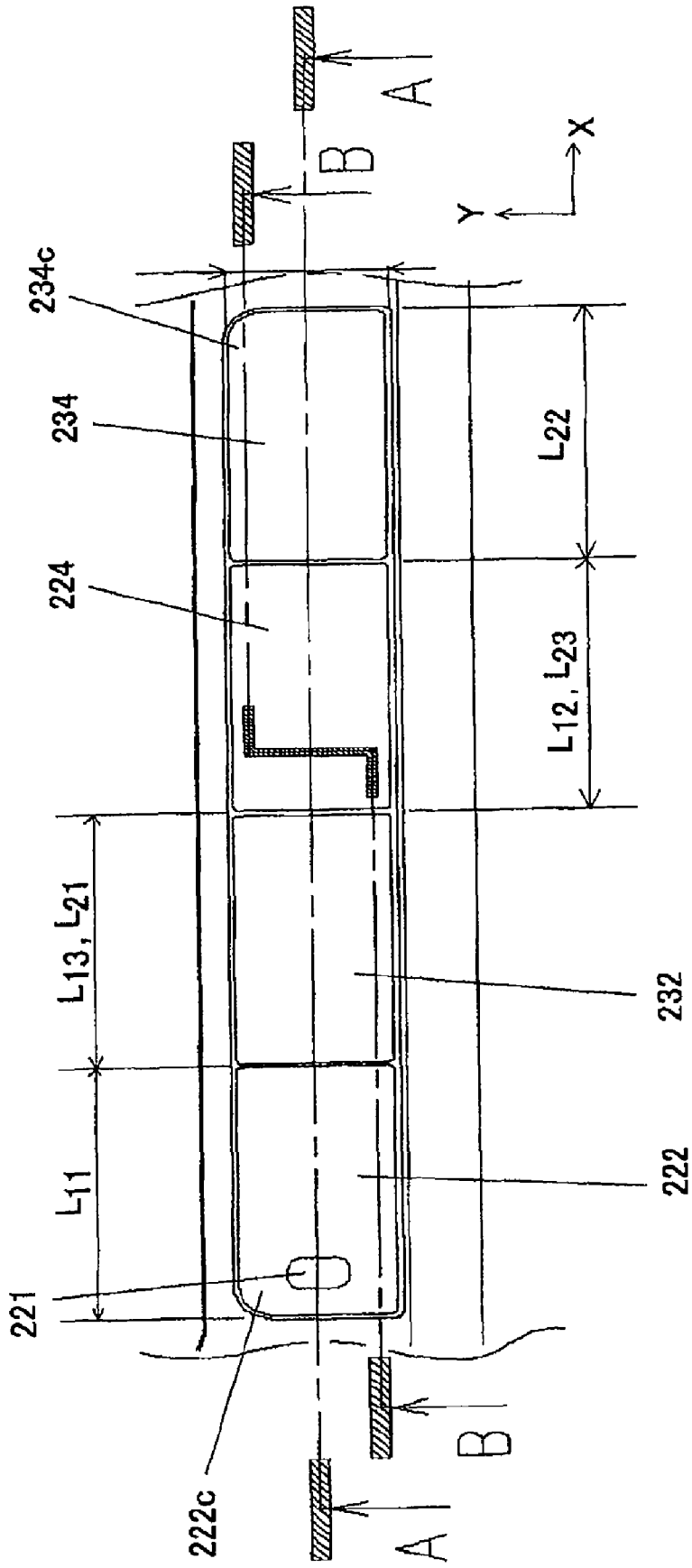


FIG. 5

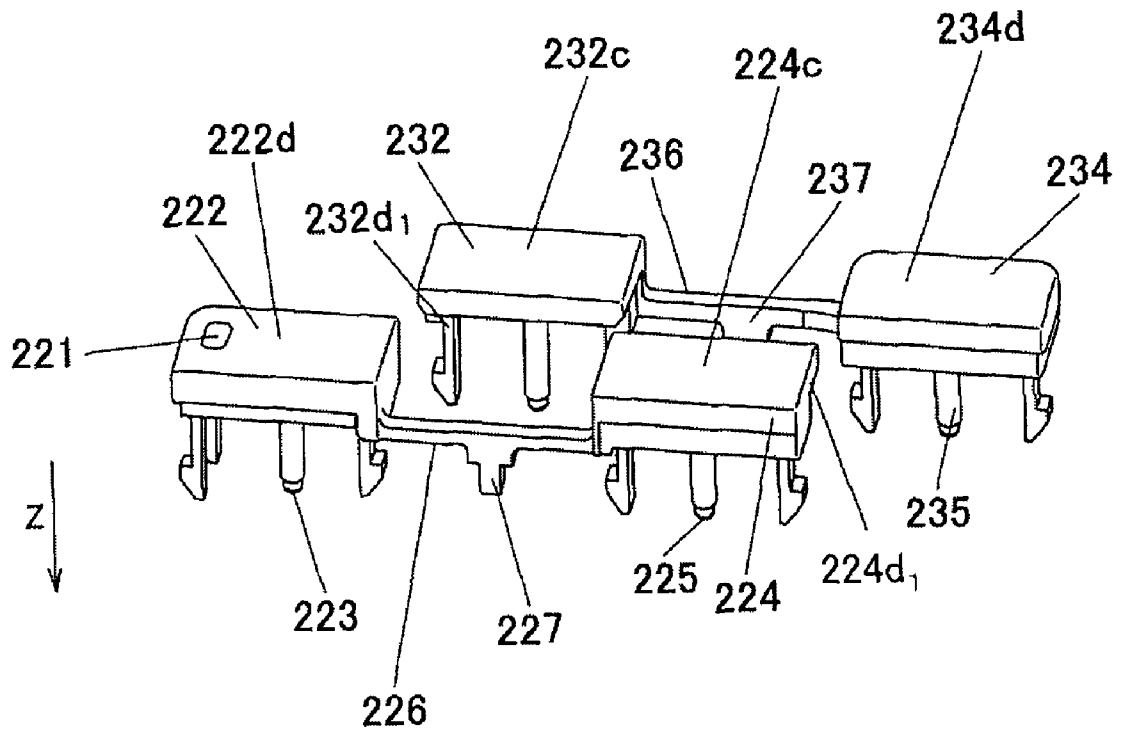


FIG. 6

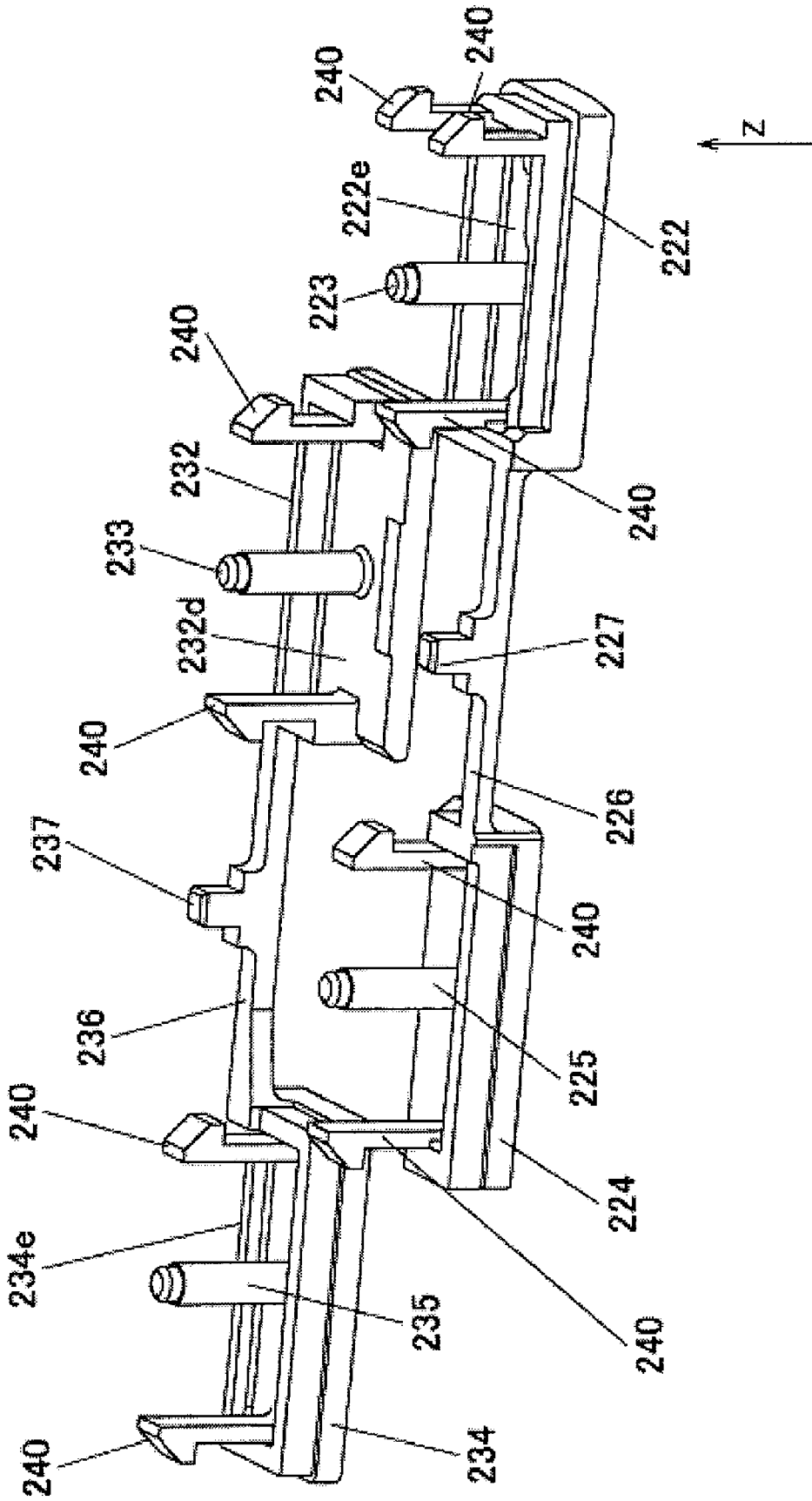


FIG. 7

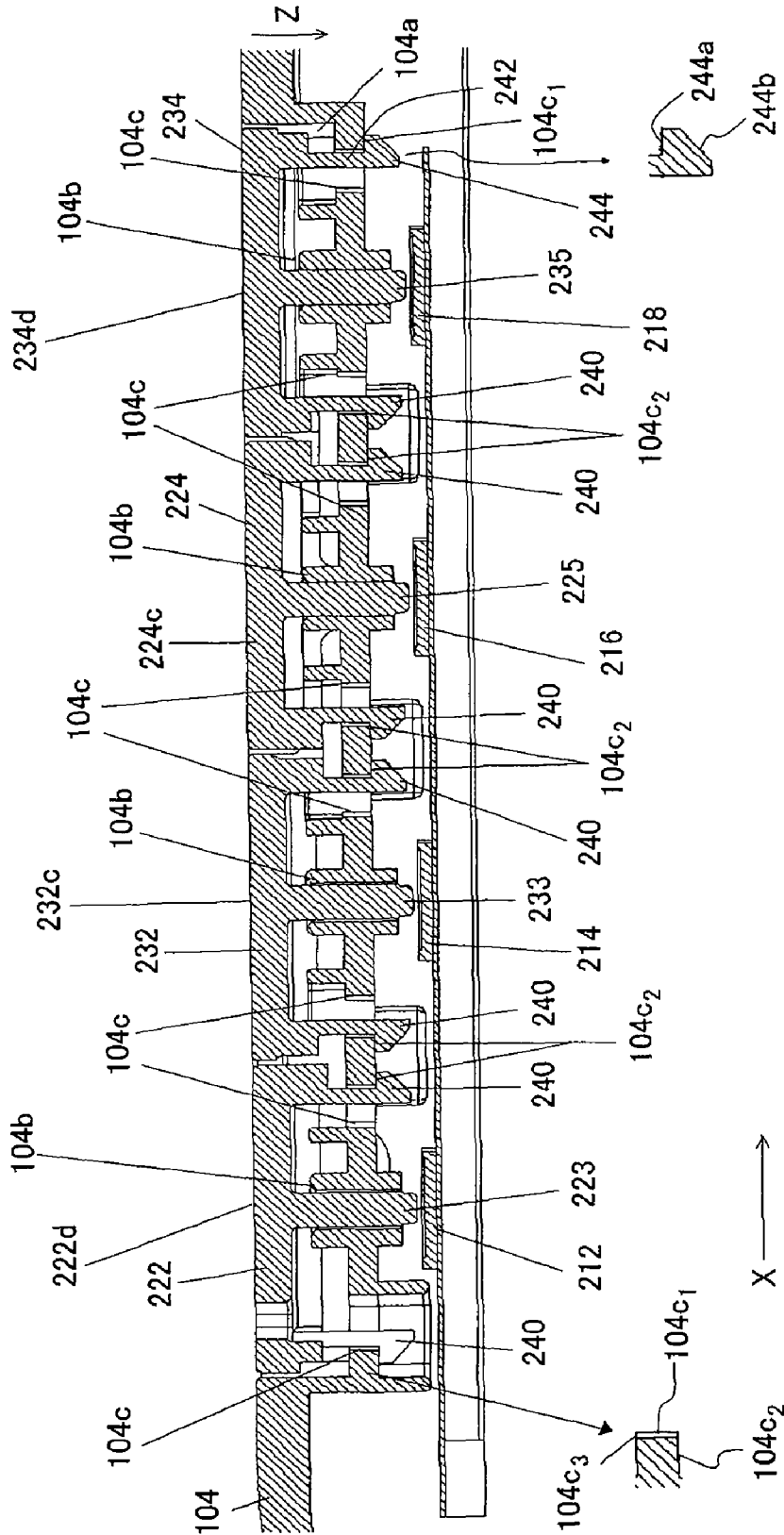


FIG. 9

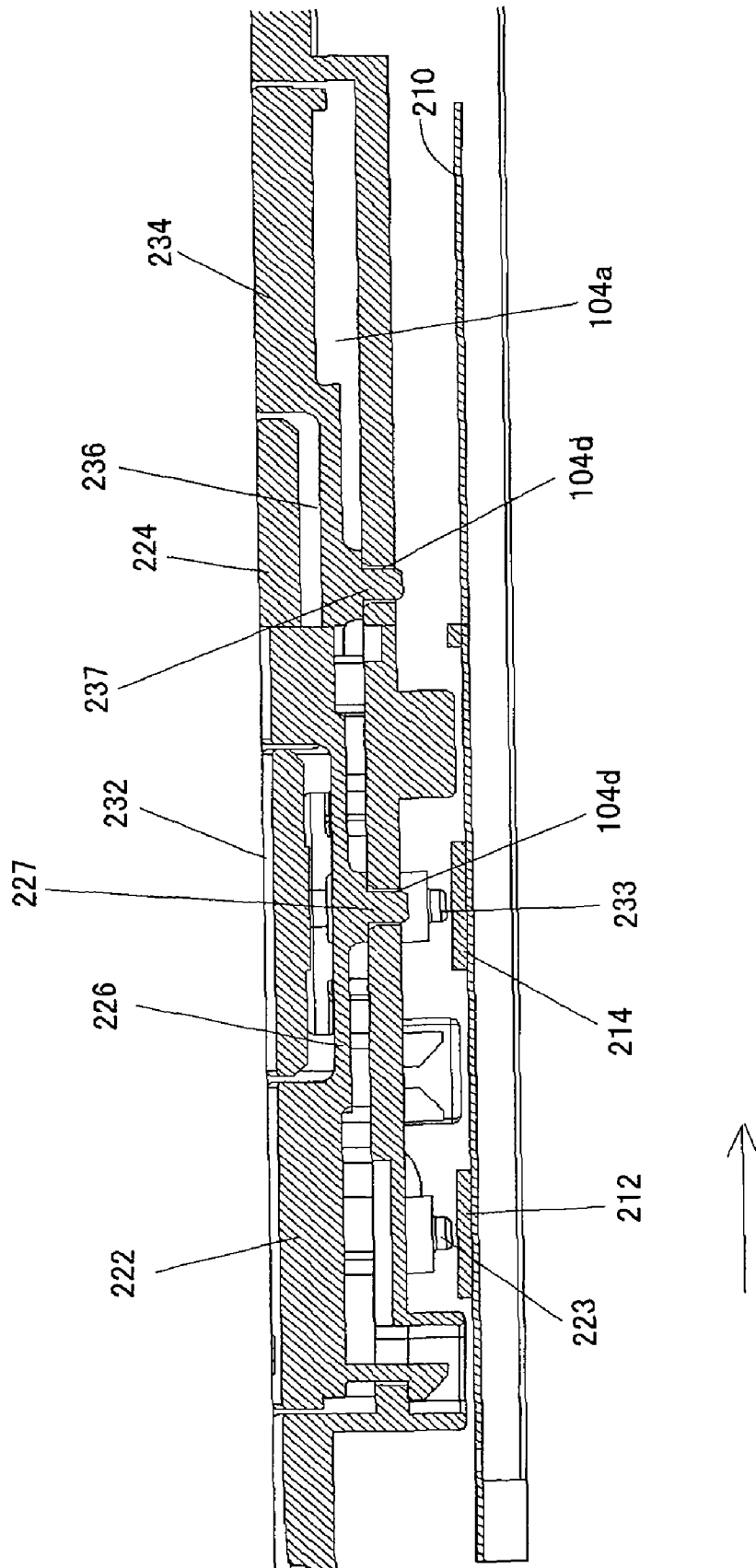


FIG. 10

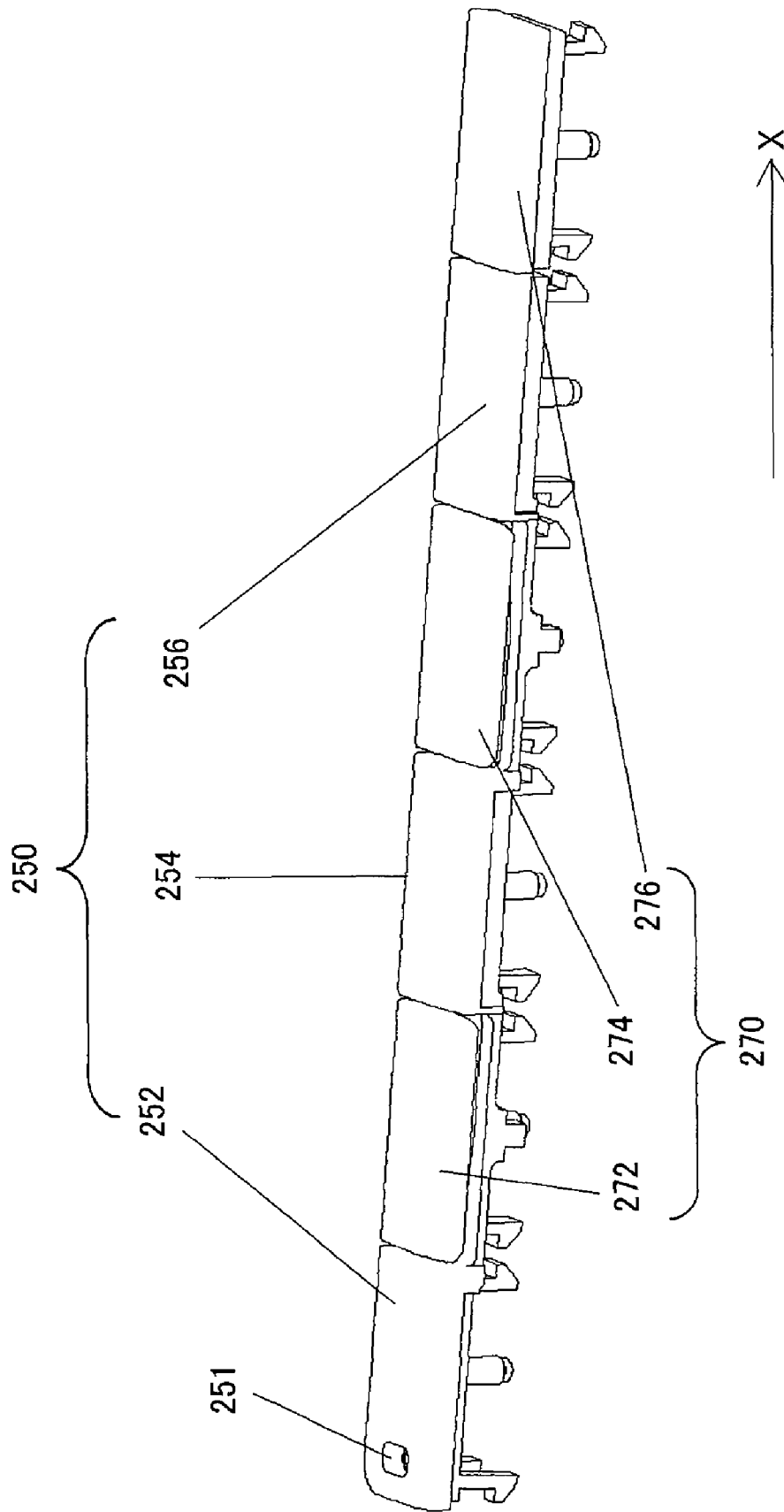


FIG. 11

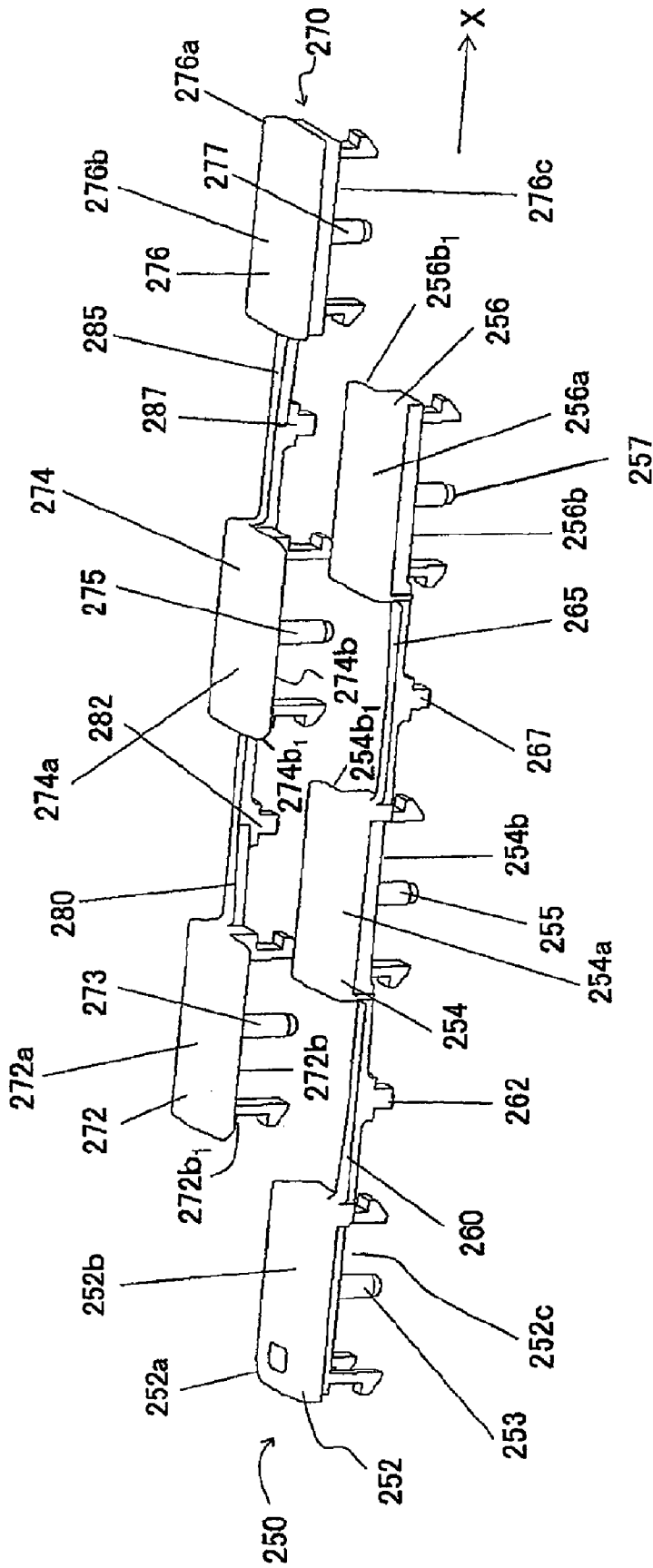


FIG. 12

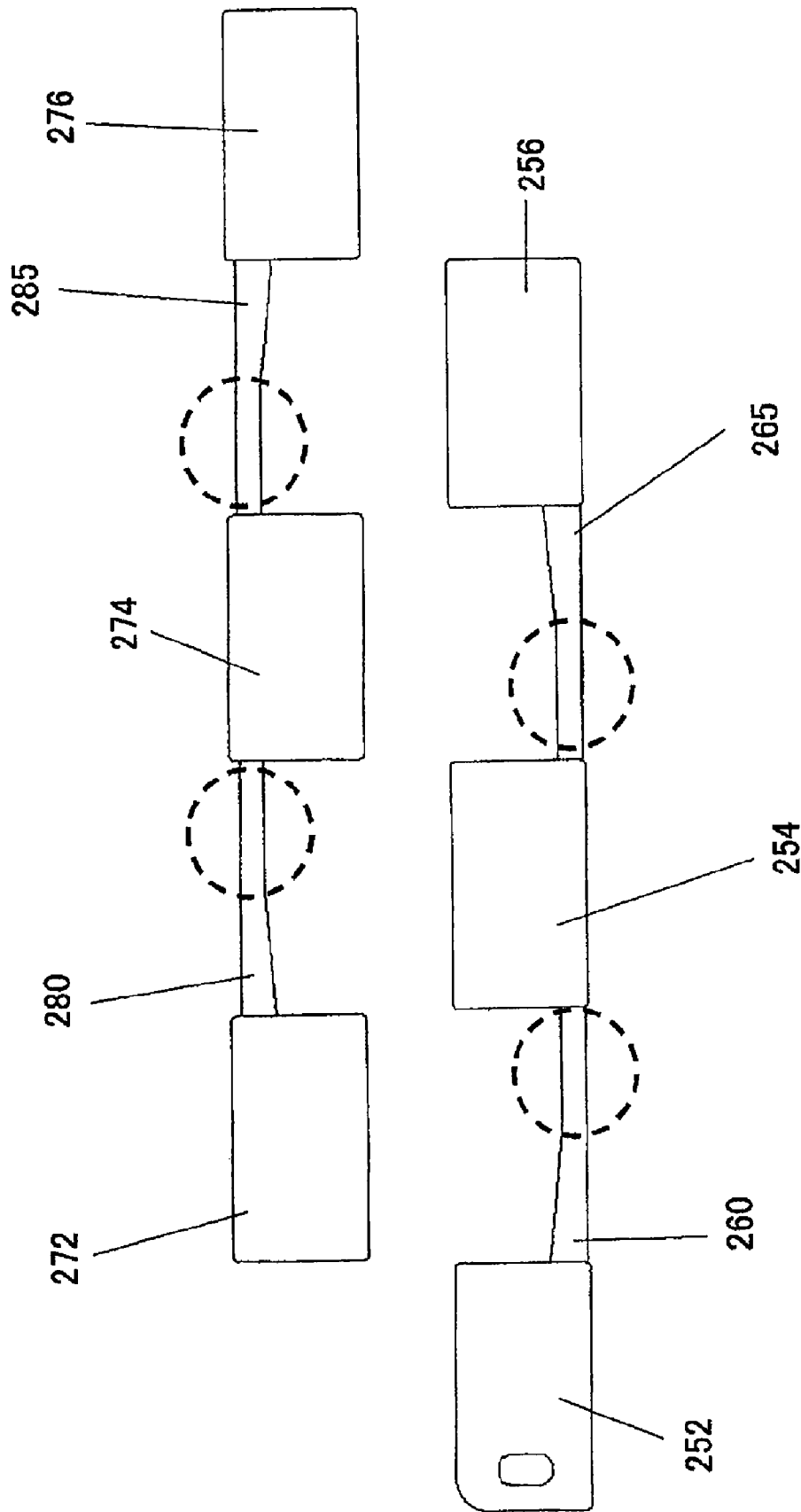


FIG. 13

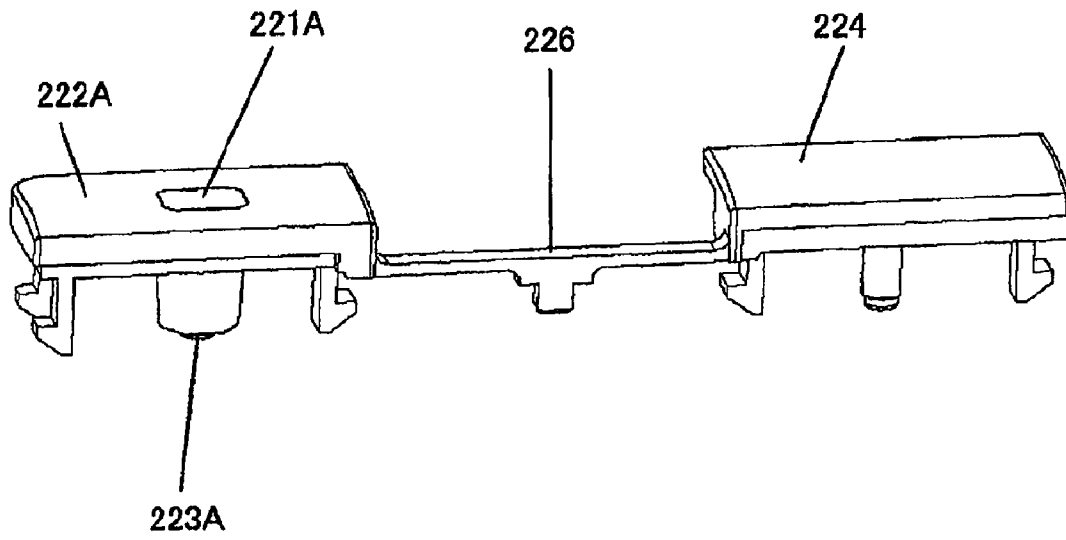


FIG. 14

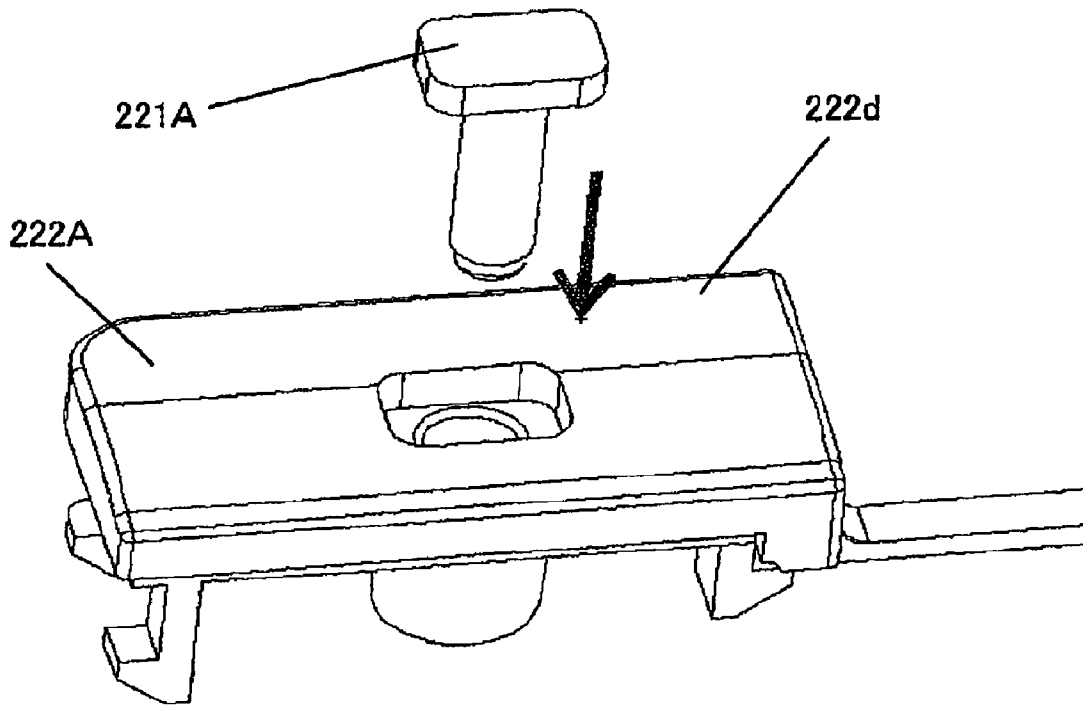


FIG. 15

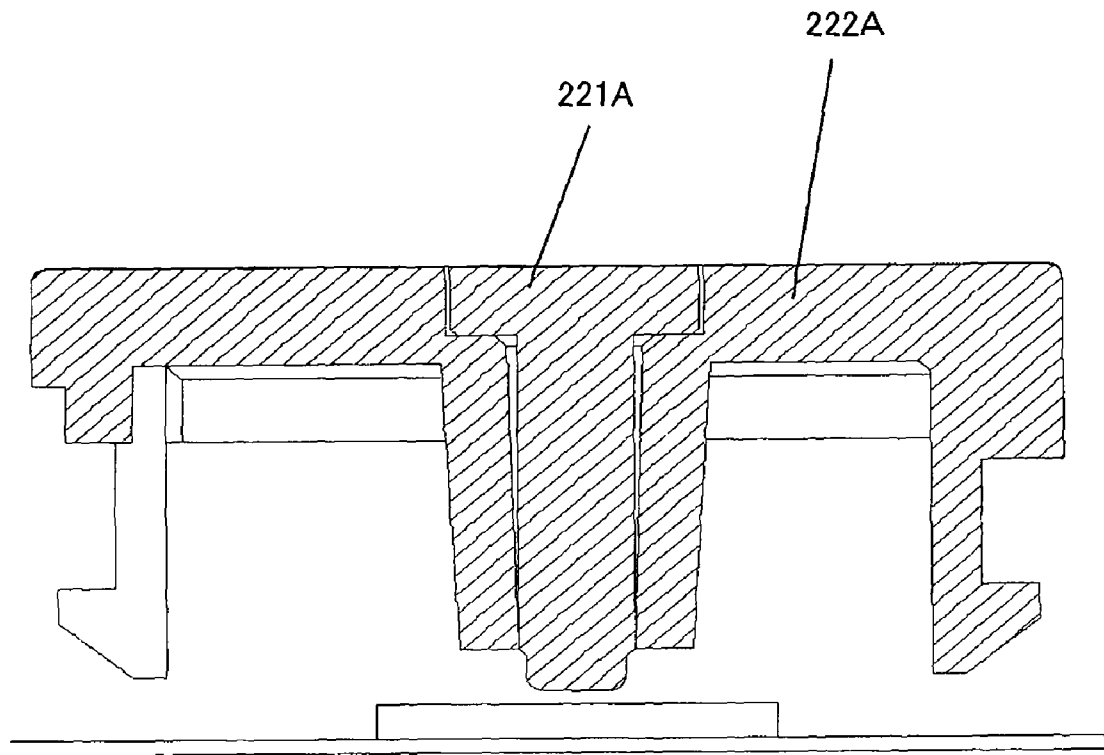


FIG. 16

ELECTRONIC APPARATUS

BACKGROUND OF THE INVENTION

1. Field of the Invention

The present invention relates to an electronic apparatus having plural operation buttons.

2. Description of the Related Art

A smaller configuration of an electronic apparatus having plural operation buttons is required as high performance and small electronic units have recently been increasingly demanded. The conventional electronic unit arranges plural operational buttons in a row and houses them in a narrow space.

For example, an electronic apparatus disclosed in Japanese Patent Laid-Open No. ("JP") 10-294044 combines a pair of components up and down, and fixes them in a case. Each component includes a stripe-shaped base, and plural operation buttons that each extend orthogonal to a longitudinal direction of the base, are supported by the base via support members, and are arranged at regular intervals in the longitudinal direction of the base. When the upper and lower components are combined, these operation buttons alternate in the longitudinal direction of the base. The case exposes the operation buttons, and the components are fixed into the case by inserting projections of the case into attachment holes of the base, and by bonding the base with the case.

In JP 10-294044, the base and the support member which projects beyond a key top as a top surface (or a compressed surface) of the operation button hinder a miniaturization of the electronic apparatus when the operation buttons are viewed from a direction perpendicular to their key tops. In addition, even in a direction perpendicular to the key top, a space is needed for two members, i.e., the base and the support member, because the components are combined up and down. Moreover, in inserting the projection of the case into the attachment hole of the base, the base and the support member deform and the operability of the operation buttons degrades. Furthermore, an adhesion between the base and the case is likely to peel off due to the stress applied during operations of the operation buttons.

SUMMARY OF THE INVENTION

The present invention is directed to provide a small electronic apparatus.

An electronic apparatus according to one aspect of the present invention includes plural operation buttons, through which each switch on a board can be compressed, and a connection part configured to connect two operation buttons out of the plural operation buttons with each other while maintaining the two operation buttons apart from each other, and to return a compressed operation button through an elastic force, wherein the connection part is arranged below an operation button that is located between the two operation buttons among the plural operation buttons.

An electronic apparatus according to another aspect of the present invention includes plural operation buttons, through which each switch on a board can be compressed, and two button units each having at least two operation buttons and a connection part configured to connect two operation buttons out of the plural operation buttons with each other while maintaining the two operation buttons apart from each other, wherein the two button units are combined so that the operation buttons of each button unit are alternately arranged, and wherein a connection part of one of the two button units is located below one of the at least two operation buttons of the

other button unit of the two button units, and a connection part of the other of the two button units is located below one of the at least two operation buttons of the one button unit of the two button units.

Further features of the present invention will become apparent from the following description of exemplary embodiments (with reference to the attached drawings).

BRIEF DESCRIPTION OF THE DRAWINGS

FIG. 1 is a perspective view of a digital camera (electronic unit) on its front surface side according to a first embodiment of the present invention.

FIG. 2 is a perspective view of the digital camera shown in FIG. 1 on its rear surface side.

FIG. 3 is a bottom view of the digital camera shown in FIG. 1.

FIG. 4 is an exploded perspective view of the digital camera shown in FIG. 1 at its rear surface side.

FIG. 5 is a partially enlarged plane view of the digital camera shown in FIG. 2.

FIG. 6 is a perspective view of button units of the digital camera shown in FIG. 4 on its front surface side.

FIG. 7 is a perspective view of the button units shown in FIG. 6 at the rear surface side.

FIG. 8 is an enlarged bottom view of the button unit shown in FIG. 5.

FIG. 9 is a sectional view taken along a line A-A in FIG. 5.

FIG. 10 is a sectional view taken along a line B-B in FIG. 5.

FIG. 11 is a perspective view of a combined and arranged button units applicable to an electronic apparatus according to a second embodiment of the present invention.

FIG. 12 is a perspective view of the button unit shown in FIG. 11 on the front side.

FIG. 13 is a top view of the button unit shown in FIG. 12.

FIG. 14 is a perspective view of a variation of the button unit shown in FIG. 4.

FIG. 15 is a partially enlarged perspective view of FIG. 14.

FIG. 16 is a partially enlarged perspective view of FIG. 14.

DESCRIPTION OF THE EMBODIMENTS

Referring now to the accompanying drawings, a description will be given of a digital camera (electronic unit) according to one embodiment of the present invention.

First Embodiment

FIG. 1 is a perspective view of a digital camera **100** on its front surface side according to a first embodiment of the present invention. FIG. 2 is a perspective view of the digital camera **100** on its rear surface side. FIG. 3 is a bottom view of the digital camera **100**. FIG. 4 is an exploded perspective view of the digital camera on its rear surface side. As shown in FIG. 2, an X direction, a Y direction, and a Z direction are set to a length direction, a height direction, and a width direction of the digital camera **100**. The X direction, the Y direction, and the Z direction are orthogonal to each other.

101 denotes a barrel of a taking optical system. **102** denotes an upper cover that covers a top of the camera. **103**, **104**, and **105** denote a front cover, a back cover, and a side cover, respectively. **106** denotes a connector cover that protects terminals mounted on a board.

As shown in FIG. 4, the rear surface cover (housing) **104** has concaves **104a** with an approximately rectangular pole shape. The concave **104a** accommodates at least part of the

electronic apparatus **200**, or button units **220** and **230**, which will be described later. A board **210** of the electronic apparatus **200**, which will be described later, is fixed under the concaves **104a**. The concave **104a** includes a bottom surface parallel to the XY plane, and four side surfaces each of which extends in the Z direction. The concave **104a** has four cylindrical holes **104b**, nine rectangular pole shaped holes **104c**, and two rectangular pole shaped holes **104d**.

Each hole **104b** is provided at the center of the concave **104a** in the Y direction, serves as a perforation hole that extends in the Z direction, and guides a switch compression part, which will be described later to a corresponding switch. Four holes **104b** are arranged in the X direction at regular intervals. Two holes **104c** are provided in the Y direction only at the left end of the concave **104a**, although the remaining seven holes **104c** are provided at the center of the concave **104a** in the Y direction, and serve as perforation holes that extend in the Z direction. An engagement part, which will be described later, is inserted into the hole **104c**. The seven holes **104c** are arranged in the X direction at regular intervals. The holes **104d** are provided on the lower side (not shown) in the Y direction of the second hole **104a** from the left in FIG. 4, and on the upper side in the Y direction of the third hole **104a** from the left. A projection of the connection part, which will be described later, is inserted into the hole **104d**.

107 denotes a pop-up flash, which is movable relative to the camera body between an accommodation state shown in FIGS. 1 and 2 and a standing state (not shown). **108** denotes an auto focus ("AF") supplemental light window, and **109** denotes a liquid crystal display that displays various types of information of confirmation, reproduction, and taking conditions of the captured image. **110** denotes an operational dial that includes a central operation button and a peripheral dial, and is movable and compressible at four, i.e., upper, lower, left, and right, portions.

111 denotes a strap ring having a hole around which a strap is wound. **113** denotes a so-called release operation button having a photography preparation function and a photography starting function. **112** denotes a zoom lever for a magnification adjustment used for an optical power-variation function or a digital power-variation function, and is configured movable around the release operation button **113**. **114** denotes a power operation button that turns on or off the camera body. **115** denotes a mode dial that selects various photography modes. **116** denotes a battery lid that can slide and rotate relative to the camera body. **117** denotes a battery lid lock lever that restrains unintentional sliding of the battery lid **116**. **118** denotes a tripod hole used to fix the camera body on the tripod.

The digital camera **100** includes an electronic apparatus **200**, as shown in FIG. 4. The electronic apparatus **200** arranges plural operation buttons in a row, configures each switch on the board to be compressed by each operation button, and includes a board **210** and a pair of button units **220** and **230**.

The board **210** is held on a chassis **120** fixed into the camera body via screw holes **121**, and made of a hard printed board or flexible printed board. The board **210** has four (electric) switches **212**, **214**, **216** and **218** corresponding to the number of operation buttons. The board **210** has a stripe shape that extends in the X direction. The switches **212** to **218** have circular shapes arranged at regular intervals in the X direction. As described later, the switches **212** to **218** turn on when the operation button is compressed, and turn off when the compression is released.

A (first) button unit **220** includes a conductor **221**, a pair of operation buttons **222** and **224**, and a connection part **226**. A

(second) button unit **230** includes a pair of operation buttons **232** and **234**, and a connection part **236**.

The conductor **221** is fixed onto the operation button **222** via adhesives. When a certain function is selected, a light emission element, such as a light emitting diode ("LED"), under the conductor **221** emits the light and informs the user of a selection of the function.

A pair of operation buttons **222** and **224** are spaced in the X direction, and the pair of operation buttons **232** and **234** are spaced in the X direction. The operation buttons **222**, **224**, **232**, and **234** are compressed when the user sets up a photography condition, etc.

Assume that L_{11} is a length of the operation button **222** in the X direction or a distance between the end surface **222a** and the end surface **222b** of the operation button **222**, and L_{12} is a length of the operation button **224** in the X direction or a distance between the end surface **224a** and the end surface **224b** of the operation button **224**. L_{13} is an interval between the operation buttons **222** and **224** in the X direction or a distance between the end surface **222b** of the operation button **222** and the end surface **224a** of the operation button **224**. Similarly, assume that L_{21} is a length of the operation button **232** in the X direction or a distance between the end surface **232a** and the end surface **232b**, and L_{22} is a length of the operation button **234** in the X direction or a distance between the end surface **234a** and the end surface **234b** of the operation button **234**. L_{23} is an interval between the operation buttons **232** and **234** in the X direction or a distance between the end surface **232b** of the operation button **232** and the end surface **234a** of the operation button **234**. Then, $L_{11}=L_{12}=L_{21}=L_{22}=L$, $L_{13}=L_{23}=L$ are met.

Thus, each of the operation buttons **222**, **224**, **232**, and **234** has the same length of L in the X direction. The interval between the operation buttons **222** and **224**, and the interval between the operation buttons **232** and **234** are equal to each other but slightly greater than L. Each of the operation buttons **222**, **224**, **232**, and **234** have the same width of H in the Y direction. Each of the operation buttons **222**, **224**, **232**, and **234** have approximately the same shape when viewed from the top although the operation buttons **222** and **234** have chamfers **222c** and **234c** at their corners.

This embodiment combines the button units **220** and **230** with each other in mounting the electronic apparatus **200** on the digital camera **100**. In assembly, the operation buttons **222** and **224** of the button unit **220** and the operation buttons **232** and **234** of the button unit **230** are alternate in the X direction. In other words, as shown in FIG. 5, the operation buttons are alternate in order of **222**, **232**, **224**, and **234** in the X direction. FIG. 5 is an enlarged plane view showing an arrangement of the operation buttons **222**, **224**, **232** and **234** of the button units **220** and **230** in the electronic apparatus **100**.

FIG. 6 is an exploded perspective view of the button units **220** and **230** of the electronic apparatus **100** on the front surface side. FIG. 7 is an exploded perspective view of the button units **220** and **230** of the electronic apparatus **100** on the rear surface side. FIG. 8 is an enlarged bottom view of the button units **220** and **230** of the electronic apparatus **100**. FIG. 9 is a sectional view taken along line A-A in FIG. 5. FIG. 10 is a sectional view taken along line B-B in FIG. 5.

The operation button **222** includes a flat top surface (key top) **222d** as a compressed surface, a bottom surface **222e** as a rear surface of the key top **222d**, a switch compression part **223**, and an engagement part **240**. The switch compression part **223** is provided at the center of the bottom surface **222e**, and is configured to extend perpendicular to the key top **222d** and to compress the switch **212**. The engagement parts **240** are provided at two corners on the side of the end surface **222a**

of the bottom surface **222e**, and at the central edge on the side of the end surface **222b**. Only the operation button **222** has two engagement parts **240** on the side of the end surface **222a**, but the present invention is not limited to this embodiment.

The operation button **224** includes a flat top surface (key top) **224c** as a compressed surface, a bottom surface **224d** as a rear surface of the key top **224c**, a notch **224d₁**, a switch compression part **225**, and an engagement part **240**. The notch **224d₁** is provided on the upper side in the Y direction of the bottom surface **224d**, and extends in the X direction. The switch compression part **225** is provided at the center of the bottom surface **224d**, and is configured to extend perpendicular to the key top **224c** and to compress the switch **216**. The engagement part **240** is provided at the central edge on the side of the end surface **224a** of the bottom surface **224d**, and at the central edge on the side of the end surface **224b**.

The operation button **232** includes a flat top surface (key top) **232c** as a compressed surface, a bottom surface **232d** as a rear surface of the key top **232c**, a notch **232d₁**, a switch compression part **233**, and an engagement part **240**. The notch **232d₁** is provided on the lower side in the Y direction of the bottom surface **232d**, and extends in the X direction. The switch compression part **233** is provided at the center of the bottom surface **232d**, and is configured to extend perpendicular to the key top **232c** and to compress the switch **214**. The engagement part **240** is provided at the central edge on the side of the end surface **232a** of the bottom surface **232d**, and at the central edge on the side of the end surface **232b**.

The operation button **234** includes a flat top surface (key top) **234d** as a compressed surface, a bottom surface **234e** as a rear surface of the key top **234d**, a switch compression part **235**, and an engagement part **240**. The switch compression part **235** is provided at the center of the bottom surface **234e**, and is configured to extend perpendicular to the key top **234d** and to compress the switch **218**. The engagement part **240** is provided at the central edge on the side of the end surface **234a** of the bottom surface **234e**, and at the central edge on the side of the end surface **234b**.

Each switch compression part has an approximately cylindrical shape, and its tip is chamfered or tapered. Each switch compression part is inserted into a corresponding hole **104b** of the rear surface cover **104**, and is located above the corresponding switch. As a result, when a user presses one of the operation buttons, a corresponding switch is pressed and turned on via a corresponding switch compression part. The switch turns off when a corresponding operation button is pressed again or another button, such as the operation dial **110**, is pressed.

Since the hole **104b** of the rear surface cover **104** guides the corresponding switch compression part in the Z direction when the operation button is pressed, and improves the reliability of the switch compressing action. The hole **104b** restricts a movement of each operation button in the XY directions, and consequently makes uniform an aperture of each key top relative to the rear surface cover **104**, preventing a collision between the end surface of the operation button and the rear surface cover **104**, and improving the operability of each operation button.

Each engagement part **240** includes, as shown in FIG. 9, a support member **242** having a rectangular pillar shape that extends in the Z direction, and a claw **244** having a triangular pole (hook shape) with a rectangular equilateral triangle at its top. Each claw **244** includes an end surface **244a** parallel to the key top of each operation button, and a bevel surface **244b**. The bevel surface **244b** in each operation button faces outside.

Each engagement part **240** is inserted into the hole **104c** in the concave **104a** of the rear surface cover **104**. As shown in FIG. 9, the hole **104c** is defined by an end surface **104c₁** that extends in the Z direction, a rear surface **104c₂** of the concave **104a** near the hole **104c**, and an upper edge part **104c₃**. At the insertion time, the bevel surface **244b** of the claw **244** of each engagement part **240** contacts the upper edge part **104c₃** of the hole **104c**, and proceeds through the hole **104c**. At that time, the support member **242** gradually bends in the X direction or -X direction. After the insertion is completed, the support member **242** returns to the original state, and contacts or becomes ready to contact the end surface **104c₁** of the hole **104c** in the Z direction. In addition, the end surface **244a** is engaged with the rear surface **104c₂**, and this engagement restricts the movements of the button units **220** and **230** in the -Z direction, and prevents the rear surface cover **104** from dropping. Moreover, each operation button has the engagement parts **240** at both sides in the X direction. The movements of each operation button in the X direction and -X direction are restricted at both sides in the X direction, because the support member **242** of the engagement part **240** contacts or becomes ready to contact the end surface **104c₁** of the hole **104**.

As shown in FIG. 9, each operation button has the same height, and the key tops **222d**, **224c**, **232c**, and **234d** form the same plane as the top surface of the rear surface cover **104**. Therefore, a user does not hook any operation button, and the operability improves by preventing the malfunction.

The connection part **226** is provided between two operation buttons **222** and **224**, and connects them to each other while maintaining them apart from each other. The connection part **226** returns the pressed operation button by the elastic force. The connection part **226** is an arm member that extends in the X direction. One end of the connection part **226** is connected to the end surface **222b** in the X direction of the operation button **222**, and the other end of the connection part **226** is connected to the end surface **224a** in the X direction of the operation button **224**.

The connection part **236** is located between two operation buttons **232** and **234**, and connects them to each other while maintaining them apart from each other. The connection part **236** returns the pressed operation button by the elastic force. The connection part **236** is an arm member that extends in the X direction. One end of the connection part **236** is connected to the end surface **232b** in the X direction of the operation button **232**, and the other end of the connection part **236** is connected to the end surface **234a** in the X direction of the operation button **234**.

Thus, the connection part **226** falls within a length H in the Y direction of a pair of operation buttons **222** and **224**, and the connection part **236** falls within a length H in the Y direction of a pair of operation buttons **232** and **234**. The connection parts **226** and **236** do not extend in the Y direction unlike the support member in JP 10-294044, or extend beyond the length of the operation button in the Y direction unlike the base in JP 10-294044, thereby making the button units **220** and **230** small in the Y direction.

As shown in FIG. 5, when the button units **220** and **230** are combined and arranged, the connection part **226** is arranged below another operation button **232** that is arranged between the operation buttons **222** and **224**. In addition, the connection part **236** is arranged below another operation button **224** that is arranged between the operation buttons **232** and **234**. In other words, the connection part **226** of the button unit **220** that is one of the two operation button units **220** and **230** is arranged below the operation button **232** of the other button unit **230**. In addition, the connection part **236** of the button

unit **230** that is the other of the two operation button units **220** and **230** is arranged below the operation button **224** of the other button unit **220**. When viewed from the upper side in the Z direction, the connection parts **226** and **236** does not project to the outside of the operation buttons **222**, **224**, **232**, and **234**, as shown in FIG. 5, making the length in the Y direction smaller than that in JP 10-294044.

As discussed above, each operation button is provided with the switch compression part, and the connection parts **226** and **236** are configured to avoid it. In that case, when two connection parts are provided at the same side with respect to the switch compression in the Y direction part, they interfere with each other. Accordingly, as shown in FIG. 8, the connection parts **226** and **236** of the two button units **220** and **230** are arranged at the opposite side with respect to a direction that passes the centers of the switch compression parts **223**, **233**, **225**, and **235**, and is parallel to the row direction (X direction) of the operation buttons.

This embodiment provides the connection part **226** lower than the switch compression part **233** in the Y direction, and connection part **236** upper than the switch compression part **225** in the Y direction. In this embodiment, the connection part **226** is located at the notch **232d₁** of the bottom surface **232d** of the operation button **232**, and the connection part **236** is located at the notch **224d₁** of the bottom surface **224d** of the operation button **224**. It is understood from FIG. 6 that a side of the operation button **224** on which the notch **224d₁** is provided is opposite to a side of the operation button **224** at which the connection part **226** is connected, with respect to the switch compression part **225**. Similarly, it is understood that a side of the operation button **232** on which the notch **232d₁** is provided is opposite to a side of the operation button **232** at which the connection part **236** is connected, with respect to the switch compression part **233**.

The connection part **226** has an approximately rectangular pole shape, and includes, at its center, a projection **227** that extends in the Z direction or in a direction perpendicular to the key tops **222d** and **224c**. Similarly, the connection part **236** has an approximately rectangular pole shape, and includes, at its center, a projection **237** that extends in the Z direction or in a direction perpendicular to the key tops **232c** and **234d**. The projections **227** and **237** each have a rectangular pole shape.

As shown in FIG. 10, the projections **227** and **237** are inserted into the holes **104d** in the rear surface cover **104**, and fixed there. The operation button **222** can move in the Z direction due to the elastic force between the projection **227** of the connection part **226** and the connection part of the end surface **222b**, and the operation button **222** can return to the original position when the operation button **222** is pressed. The operation button **224** can move in the Z direction due to the elastic force between the projection **227** of the connection part **226** and the connection part of the end surface **224a**, and the operation button **224** can return to the original position when the operation button **224** is pressed. Similarly, the operation button **232** can move in the Z direction due to the elastic force between the projection **237** of the connection part **236** and the connection part of the end surface **232b**, and the operation button **232** can return to the original position when the operation button **232** is pressed. The operation button **234** can move in the Z direction due to the elastic force between the projection **237** of the connection part **236** and the connection part of the end surface **234a**, and the operation button **234** can return to the original position when the operation button **234** is pressed.

While a pair of button units **220** and **230** are being attached to the rear surface cover **104**, the projections **227** and **237** and the holes **104d** fall within the plane of the operation buttons

232 and **224**, as shown in FIG. 5, when viewed from the upper side in the Z direction. This configuration can make small the electronic apparatus **200** in the Y direction.

In operation, when the operation button is pressed, the switch compression part is guided by the hole **104b** and presses the switch. The pressed operation button returns to the original position due to the elastic force between the projection of the connection part and the connection part of the corresponding operation button. The electronic apparatus **100** is made small in the Y direction since there is no member between the base and the support member, unlike the JP 10-294044. In addition, the projection of the case is not inserted into the base unlike JP 10-294044, a deformation of each component can be provided. Moreover, since no adhesives are used unlike JP 10-294044 that uses the adhesive to fix the base and the case, no adhesive peel-off occurs.

Second Embodiment

FIG. 11 is a perspective view of an arrangement of combined button units **250** and **270** that are applicable to an electronic apparatus according to a second embodiment of the present invention. FIG. 12 is a perspective view of the button units **250** and **270** on a front side. FIG. 13 is a top view of the button units **250** and **270** shown in FIG. 12.

The (first) button unit **250** includes a conductor **251**, three operation buttons **252**, **254**, and **256**, and connection parts **260** and **265**. The (second) button unit **270** includes three operation buttons **272**, **274**, and **276**, and connection parts **280** and **285**.

The conductor **251** is similar to the conductor **221**. The three operation buttons **252**, **254**, and **256** are arranged at regular intervals in the X direction, and the three operation buttons **272**, **274**, and **276** are arranged at regular intervals in the X direction. Each button has a structure and function similar to those of the first embodiment. It is also similar that the operation buttons **252** and **276** have chamfered parts **252a** and **276a**. This embodiment also combines and arranges the button unit **250** and **270** so that their operation buttons can be alternately arranged in the X direction. As a result, as shown in FIG. 11, the operation buttons are arranged in order of **252**, **272**, **254**, **274**, **256**, and **276** in the X direction.

The operation button **252** includes a key top **252b**, a bottom surface **252c**, and a switch compression part **253**. The operation button **254** includes a key top **254a**, a bottom surface **254b**, a notch **254b₁**, and a switch compression part **255**. The operation button **256** includes a key top **256a**, a bottom surface **256b**, a notch **256b₁**, and a switch compression part **257**. The operation button **272** includes a key top **272a**, a bottom surface **272b**, a notch **272b₁**, and a switch compression part **273**. The operation button **274** includes a key top **274a**, a bottom surface **274b**, a notch **274b₁**, and a switch compression part **275**. The operation button **276** includes a key top **276b**, a bottom surface **276c**, and a switch compression part **277**. The key top, the bottom surface, the notch, and the switch compression part have structures and functions similar to those of FIG. 1.

The connection part **260** is located between the two operation buttons **252** and **254**, and connects them to each other while maintaining them apart from each other. The connection part **260** is an arm member that extends in the X direction, and has a projection **262** at its center that extends in the Z direction. The connection part **265** is located between the two operation buttons **254** and **256**, and connects them to each other while maintaining them apart from each other. The connection part **265** is an arm member that extends in the X direction, and has a projection **267** at its center that extends in

the Z direction. The connection part **280** is located between the two operation buttons **272** and **274**, and connects them to each other while maintaining them away from each other. The connection part **280** is an arm member that extends in the X direction, and has a projection **282** at its center that extends in the Z direction. The connection part **285** is located between the two operation buttons **274** and **276**, and connects them to each other while maintaining them away from each other. The connection part **285** is an arm member that extends in the X direction, and has a projection **287** at its center that extends in the Z direction. Each element of the connection part has a basic function similar to that of the first embodiment, but this embodiment adds an additional function to the connection part.

In the first embodiment, each operation button is connected to the connection part at its one end. On the other hand, in this embodiment, the operation buttons are classified into the (first) operation button **252**, **256**, **272** and **276** that are connected to the connection part only at one end, and the (second) operation buttons **254** and **274** that are connected to the connection parts at both ends. The operation button that is connected to the connection part at one end can be regarded as a cantilever, and the operation button that is connected to the connection parts at both ends can be regarded as a double-held beam. Assume that all the connection parts have the same shape. Then, the elastic force which the cantilever operation button receives is different from the elastic force which the double-held beam operation button receives, and the operability lowers due to the elastic force of the connection part because the operational feeling differs. Accordingly, this embodiment equalizes the operational feeling of each operation button by making larger a part of the connection part between the projection and the end connected to the first operation button than a part of the connection part between the projection and end connected to the second operation button.

This embodiment makes a width in the Y direction of each of the connection parts **260**, **265**, **280**, and **285** at the double-held beam operation button **254** and **274** smaller than that at the cantilever operation buttons **252**, **256**, **272**, and **276**, as shown in dotted line in FIG. **13**.

While this embodiment equalizes the operational force of each operation button by adjusting the width of the connection part in the Y direction, the present invention is not limited to this embodiment. A similar effect can be obtained by adjusting an arm thickness, or a position on the fulcrum point on the arm.

In addition, when the conductor **221A** is located at the center of the operation button **222A** as shown in FIG. **14**, the switch compression part **223A** may serve as the conductor **221A**. At this time, as shown in FIGS. **15** and **16**, the conductor **221A** can be inserted into the top surface **222d** of the operation button **222A** and integrated with it. Then, the peel-off risk of the conductor **221A** reduces when the operation button **222A** is pressed. Furthermore, when the operation button part covers from the vicinity of the switch compression part to the vicinity of the outer surface of the conductor **221A** as shown in FIG. **16**, the light leakage to the surrounding reduces.

While the present invention has been described with reference to exemplary embodiments, it is to be understood that the invention is not limited to the disclosed exemplary embodiments. The scope of the following claims is to be accorded the broadest interpretation so as to encompass all such modifications and equivalent structures and functions. For example, the electronic unit applicable to the present invention is not limited to a digital camera, and is applicable

to a cellular phone, personal digital assistant ("PDA"), a laptop personal computer ("PC"), a game machine, etc.

This application claims the benefit of Japanese Patent Application No. 2007-208728, filed Aug. 10, 2007, which is hereby incorporated by reference herein in its entirety.

What is claimed is:

1. An electronic apparatus comprising: plural operation buttons, through which each switch on a board can be compressed; and a connection part configured to connect two operation buttons out of the plural operation buttons with each other while maintaining the two operation buttons apart from each other, and to return a compressed operation button through an elastic force, wherein the connection part is arranged below an operation button that is located between the two operation buttons among the plural operation buttons, wherein each operation button includes a key top as a compressed surface, and a switch compression part that extends perpendicular to the key top and is configured to compress the switch, and wherein the switch compression part is integrated with a conductor configured to guide light from a light emission element.
2. The electronic apparatus according to claim 1, wherein the operation button arranged between the two operation buttons has a notch on a rear surface of the key top as a compressed surface, the connection part being located at the notch.
3. An electronic apparatus comprising: plural operation buttons, through which each switch on a board can be compressed; and two button units each having at least two operation buttons and a connection part configured to connect two operation buttons out of the plural operation buttons with each other while maintaining the two operation buttons apart from each other, wherein the two button units are combined so that the operation buttons of each button unit are alternately arranged, and wherein a connection part of one of the two button units is located below one of the at least two operation buttons of the other button unit of the two button units, and a connection part of the other of the two button units is located below one of the at least two operation buttons of the one button unit of the two button units.
4. The electronic apparatus according to claim 3, wherein each operation button has a switch compression part that extends perpendicular to a key top as a compressed surface, and wherein the connection parts of the two button units are arranged on opposite sides with respect to a direction that passes a center of the switch compression part, and is parallel to a row direction of the operation buttons.
5. The electronic apparatus according to claim 3 further comprising: a housing that accommodates at least part of the electronic apparatus, wherein each operation button includes a switch compression part that extends perpendicular to a key top as a compressed surface and is configured to compress the switch, and wherein the housing has a hole that guides the switch compression part to the switch.
6. The electronic apparatus according to claim 3 further comprising:

11

a housing that accommodates at least part of the electronic apparatus,
wherein each operation button includes an engagement part that extends to a key top as a compressed surface, and
wherein the housing has a hole, into which the engagement part is inserted.
7. The electronic apparatus according to claim 3 further comprising:
a housing that accommodates at least part of the electronic apparatus,
wherein the connection part includes a projection that extends perpendicular to a key top as a compressed surface of the operation button, and

12

wherein the housing has a hole, into which the projection of the connection part is inserted.
8. The electronic apparatus according to claim 7,
wherein the plural buttons include a first operation button connected to the connection part only at one end, and a second operation button connected to the connection parts at both ends,
wherein a part between the projection and an end of the connection part connected to the first operation button is larger than a part between the projection and an end of the connection part connected to the second operation button.

* * * * *